

VS-PPC-C1-SCRJ-POBK-PG9-A4D-C - FO connectors



1657850

<https://www.phoenixcontact.com/us/products/1657850>

Please be informed that the data shown in this PDF document is generated from our online catalog. Please find the complete data in the user documentation. Our general terms of use for downloads are valid.



SC-RJ fiber optic connector, IP67, with push-pull interlocking, plastic housing, duplex, with fast connection technology, for polymer fiber 980/1000 μm , for individual wire diameter 2.2 mm, for cable cross section 6.5 mm ... 9.5 mm

Commercial data

Item number	1657850
Packing unit	1 pc
Minimum order quantity	1 pc
Note	Made to order (non-returnable)
Sales key	AB17
Product key	ABNOBA
GTIN	4046356131926
Weight per piece (including packing)	34.9 g
Weight per piece (excluding packing)	32.54 g
Customs tariff number	85366990
Country of origin	DE

1657850

<https://www.phoenixcontact.com/us/products/1657850>

Technical data

Product properties

Product type	Fiber optic connector (cable side)
Type	Push-Pull
Number of positions	2
Connection profile	SCRJ in acc. with IEC 61754-24

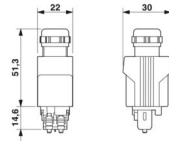
Insulation characteristics

Degree of pollution	2
---------------------	---

Electrical properties

Attenuation	≤ 1.5 dB (Insertion attenuation)
-------------	----------------------------------

Dimensions

Dimensional drawing	
Width	22 mm
Height	30 mm
Length	62.5 mm

Mechanical characteristics

Ferrule diameter	2.50 mm
------------------	---------

Material specifications

Color	black
Material	Plastic
Flammability rating according to UL 94	V0
Ferrule material	Copper alloy
Housing material	PA-GF
Cable seal material	TPE
O-ring material	NBR

Cable/line

External cable diameter	6.5 mm ... 9.5 mm
Wire diameter	2.2 mm

FO cable

Number of fibers	2
Fiber	980/1000 μm
Fiber type	POF

1657850

<https://www.phoenixcontact.com/us/products/1657850>

Mechanical properties

Mechanical data

Insertion/withdrawal cycles	≥ 500
-----------------------------	-------

Characteristics

Attenuation	≤ 1.5 dB (Insertion attenuation)
-------------	----------------------------------

Environmental and real-life conditions

Ambient conditions

Degree of protection	IP67
	IP65/IP67
Ambient temperature (operation)	-20 °C ... 70 °C

Standards and regulations

Standards/specifications	IEC PAS 61076-3-117
--------------------------	---------------------

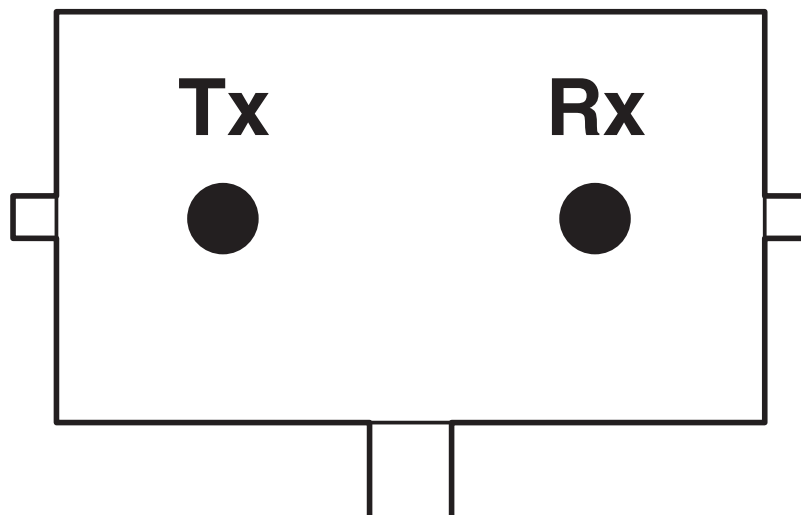
Drawings

Dimensional drawing



Push-Pull SC-RJ connector IP65/67

Schematic diagram



VS-PPC-C1-SCRJ-POBK-PG9-A4D-C - FO connectors



1657850

<https://www.phoenixcontact.com/us/products/1657850>

Classifications

UNSPSC

UNSPSC 21.0	43223310
-------------	----------

1657850

<https://www.phoenixcontact.com/us/products/1657850>

Environmental product compliance

China RoHS

Environment friendly use period (EFUP)	EFUP-50
	An article-related China RoHS declaration table can be found in the download area for the respective article under "Manufacturer declaration". For all articles with EFUP-E, no China RoHS declaration table issued and required.

EU REACH SVHC

REACH candidate substance (CAS No.)	No substance above 0.1 wt%
-------------------------------------	----------------------------

Phoenix Contact 2026 © - all rights reserved
<https://www.phoenixcontact.com>

Phoenix Contact USA
586 Fulling Mill Road
Middletown, PA 17057, United States
(+717) 944-1300
info@phoenixcon.com