

VS-PPC-F1-RJ45-P0BK-1R-PHA - Panel-mount frame



1657847

<https://www.phoenixcontact.com/us/products/1657847>

Please be informed that the data shown in this PDF document is generated from our online catalog. Please find the complete data in the user documentation. Our general terms of use for downloads are valid.



RJ45 panel mounting frame, IP67, for push-pull interlocking, plastic, for PCB connection, for square panel cutout, with grommet, without mounting screws

Commercial data

Item number	1657847
Packing unit	1 pc
Minimum order quantity	1 pc
Sales key	AB17
Product key	ABNODC
GTIN	4046356131919
Weight per piece (including packing)	5.6 g
Weight per piece (excluding packing)	5.5 g
Customs tariff number	85366990
Country of origin	DE

1657847

<https://www.phoenixcontact.com/us/products/1657847>

Technical data

Product properties

Product type	Panel-mount frame
Application	RJ45 PCB connection
Type	Version 14
Number of positions	8
Connection profile	RJ45

Insulation characteristics

Degree of pollution	2
---------------------	---

Electrical properties

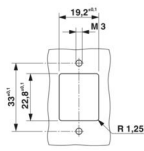
Transmission medium	Copper
---------------------	--------

Connection data

Connection technology

Connection method	Spring-cage connection
-------------------	------------------------

Dimensions

Dimensional drawing	
Width	22.2 mm
Height	42 mm
Length	18.8 mm

Material specifications

Color	black
Material	Plastic
Flammability rating according to UL 94	V0
Seal material	NBR
Housing material	Plastic
Housing surface material	PA, light gray
Contact surface material	Au/Ni
Contact carrier material	Polyester GF

Mechanical properties

Mechanical data

Insertion/withdrawal cycles	≥ 500
-----------------------------	-------

VS-PPC-F1-RJ45-P0BK-1R-PHA - Panel-mount frame



1657847

<https://www.phoenixcontact.com/us/products/1657847>

Environmental and real-life conditions

Ambient conditions

Degree of protection	IP65/IP67
Ambient temperature (operation)	-40 °C ... 70 °C

Mounting

Mounting type	Front mounting
---------------	----------------

VS-PPC-F1-RJ45-P0BK-1R-PHA - Panel-mount frame

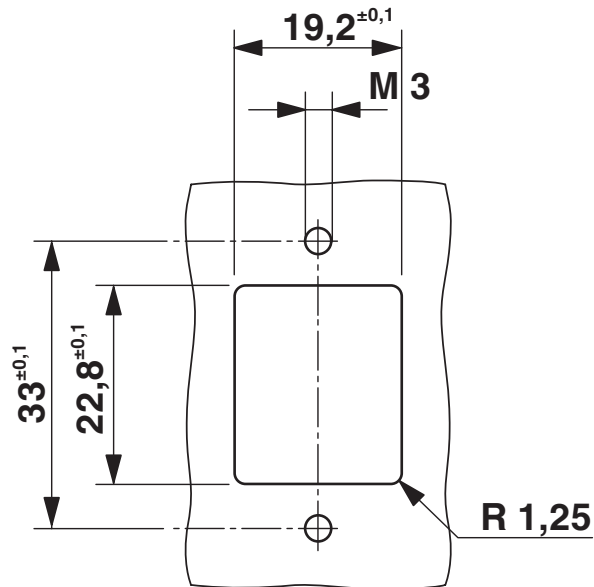


1657847

<https://www.phoenixcontact.com/us/products/1657847>

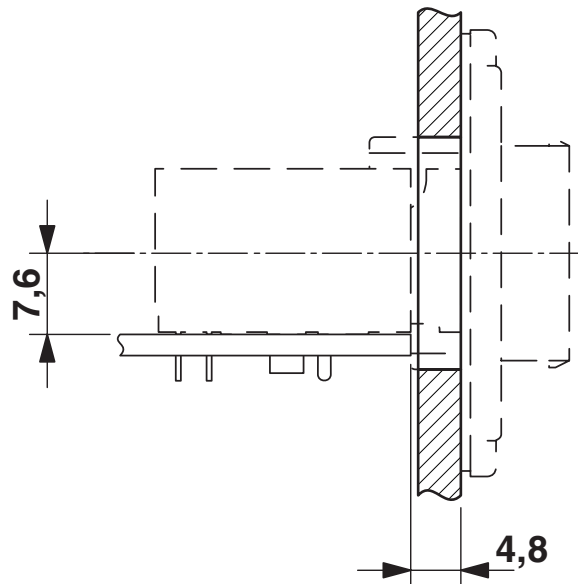
Drawings

Dimensional drawing



Mounting cutout

Dimensional drawing



Mounting cutout

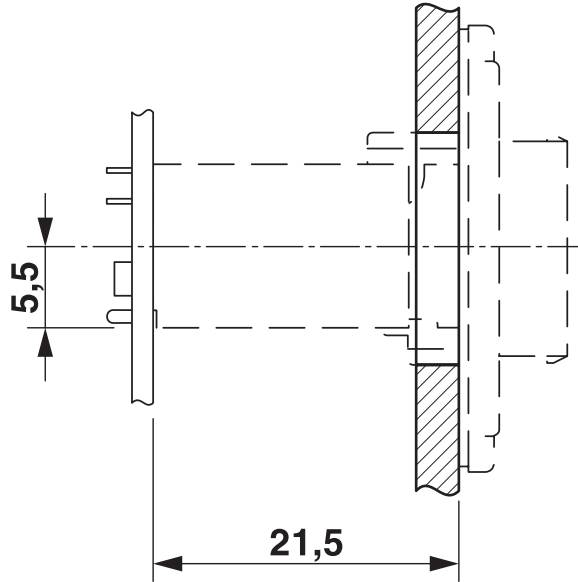
VS-PPC-F1-RJ45-P0BK-1R-PHA - Panel-mount frame



1657847

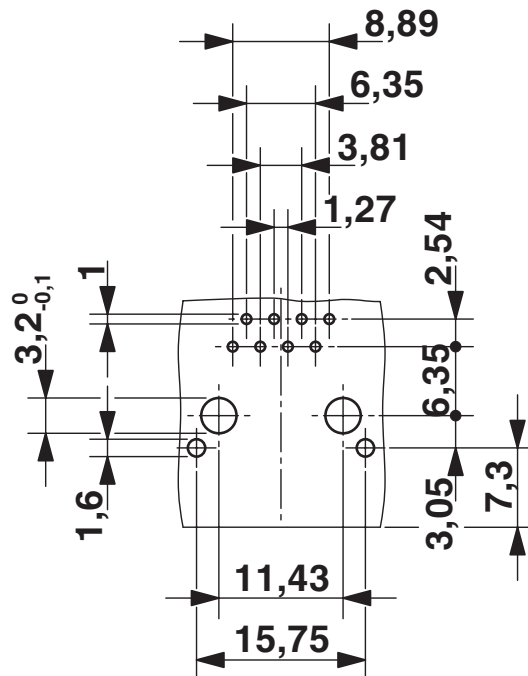
<https://www.phoenixcontact.com/us/products/1657847>

Dimensional drawing



Mounting cutout

Drilling plan/solder pad geometry



Drilling diagram

1657847

<https://www.phoenixcontact.com/us/products/1657847>

Classifications

ECLASS

ECLASS-13.0	27440210
ECLASS-15.0	27440210

ETIM

ETIM 10.0	EC002310
-----------	----------

UNSPSC

UNSPSC 21.0	39121400
-------------	----------

1657847

<https://www.phoenixcontact.com/us/products/1657847>

Environmental product compliance

EU RoHS

Fulfills EU RoHS substance requirements	Yes, No exemptions
---	--------------------

China RoHS

Environment friendly use period (EFUP)	EFUP-E
	No hazardous substances above the limits

EU REACH SVHC

REACH candidate substance (CAS No.)	No substance above 0.1 wt%
-------------------------------------	----------------------------

Phoenix Contact 2026 © - all rights reserved
<https://www.phoenixcontact.com>

Phoenix Contact USA
586 Fulling Mill Road
Middletown, PA 17057, United States
(+717) 944-1300
info@phoenixcon.com