

VS-SI-FP-2DSUB9-GC-BU/ST - Front plate

1657708

<https://www.phoenixcontact.com/us/products/1657708>

Please be informed that the data shown in this PDF document is generated from our online catalog. Please find the complete data in the user documentation. Our general terms of use for downloads are valid.



Front plate with contact inserts, plastic, 2x D-SUB 9, socket/pin

Commercial data

Item number	1657708
Packing unit	1 pc
Minimum order quantity	1 pc
Sales key	BF70
Product key	AF7EDX
GTIN	4046356118347
Weight per piece (including packing)	44.6 g
Weight per piece (excluding packing)	42.7 g
Customs tariff number	85366990
Country of origin	DE

VS-SI-FP-2DSUB9-GC-BU/ST - Front plate



1657708

<https://www.phoenixcontact.com/us/products/1657708>

Technical data

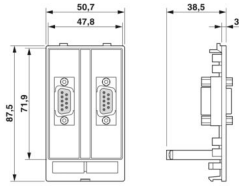
Product properties

Product type	Data front plate
Number of positions	9

Electrical properties

Rated voltage (III/3)	max. 30 V AC (RJ45, D-SUB 9, UL rating)
	48 V AC/DC (D-SUB)
	max. 42.4 V DC (RJ45, D-SUB 9, UL rating)
Rated current	max. 175 mA (D-SUB 9, UL rating)
	3 A (D-SUB 9)

Dimensions

Dimensional drawing	
Width	51 mm
Height	45 mm
Length	87.5 mm

Material specifications

Material Front plate	PBT (Front plate)
Flammability rating according to UL 94	V0

Connector

Contact insert design	with 2x D-SUB 9 Socket/pin, slot locking UNC 4...40 bolts
-----------------------	---

Environmental and real-life conditions

Ambient conditions

Degree of protection	IP20
Ambient temperature (operation)	-10 °C ... 60 °C

Mounting

Assembly note	suitable for all mounting frames
---------------	----------------------------------

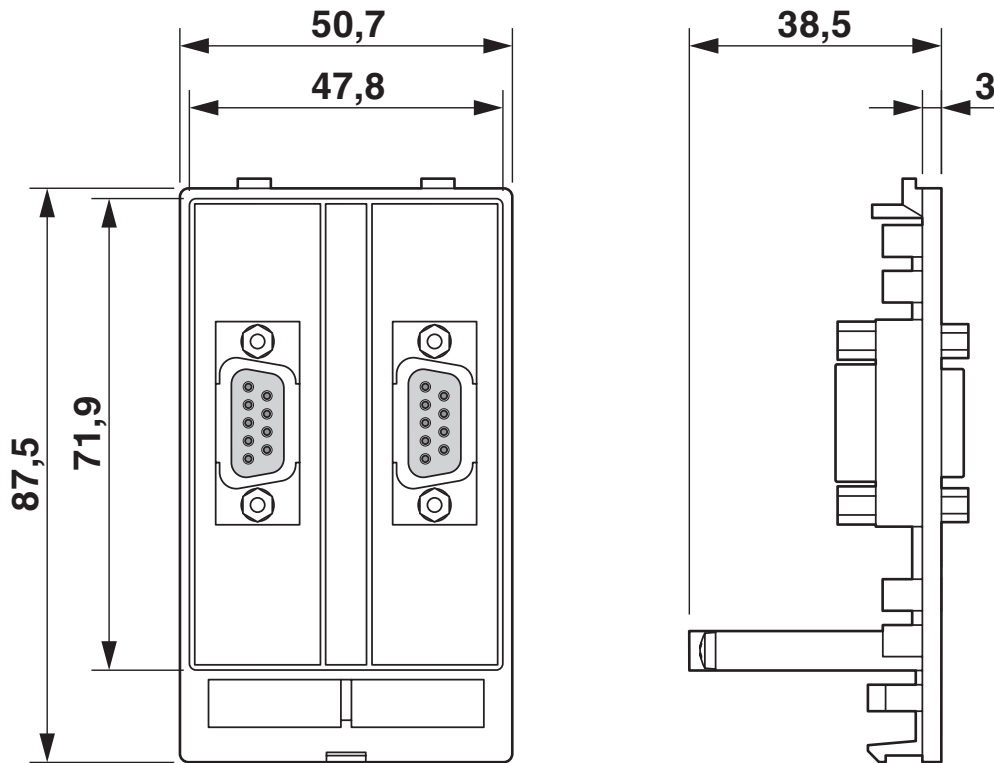
VS-SI-FP-2DSUB9-GC-BU/ST - Front plate

1657708

<https://www.phoenixcontact.com/us/products/1657708>

Drawings

Dimensional drawing



Dimensional drawing

VS-SI-FP-2DSUB9-GC-BU/ST - Front plate



1657708

<https://www.phoenixcontact.com/us/products/1657708>

Classifications

ECLASS

ECLASS-13.0	27182806
ECLASS-15.0	27182806

ETIM

ETIM 10.0	EC000456
-----------	----------

UNSPSC

UNSPSC 21.0	39121300
-------------	----------

1657708

<https://www.phoenixcontact.com/us/products/1657708>

Environmental product compliance

EU RoHS

Fulfills EU RoHS substance requirements	Yes
Exemption	6(c)

China RoHS

Environment friendly use period (EFUP)	EFUP-50
	An article-related China RoHS declaration table can be found in the download area for the respective article under "Manufacturer declaration". For all articles with EFUP-E, no China RoHS declaration table issued and required.

EU REACH SVHC

REACH candidate substance (CAS No.)	Lead(CAS: 7439-92-1)
SCIP	d30e42cb-2783-4389-a0c9-f64459a0e733

Phoenix Contact 2026 © - all rights reserved

<https://www.phoenixcontact.com>

Phoenix Contact USA
586 Fulling Mill Road
Middletown, PA 17057, United States
(+717) 944-1300
info@phoenixcon.com