

# VS-BH-M12FSD-RJ45/180 - Control cabinet feed-through



1657494

<https://www.phoenixcontact.com/us/products/1657494>

Please be informed that the data shown in this PDF document is generated from our online catalog. Please find the complete data in the user documentation. Our general terms of use for downloads are valid.

Control cabinet feed-through, M12, 4-pos., D-coded on RJ45 socket, socket input 180°, IP65/67



## Commercial data

Item number	1657494
Packing unit	1 pc
Note	Made to order (non-returnable)
Sales key	NULL
Product key	ABNMAY
GTIN	4046356100090
Weight per piece (including packing)	36.2 g
Weight per piece (excluding packing)	35.6 g
Customs tariff number	85366990
Country of origin	DE

# VS-BH-M12FSD-RJ45/180 - Control cabinet feed-through



1657494

<https://www.phoenixcontact.com/us/products/1657494>

## Technical data

### Product properties

Product type	Circular connectors (device side)
Type	Straight
Number of positions	4
Shielded	yes
Thread type	M12

### Material specifications

Color	black
Material	PA
Flammability rating according to UL 94	V0
Housing material	PA
Contact material	Copper alloy

### Electrical properties

Rated voltage (III/3)	50 V
Rated surge voltage	0.8 kV
Rated current	1.75 A
Nominal voltage $U_N$	48 V
Nominal current $I_N$	1 A
Transmission characteristics (category)	CAT5 (IEC 11801:2002)

### Mechanical properties

#### Mechanical data

Insertion/withdrawal cycles	$\geq 100$
-----------------------------	------------

### Cable/line

Signal type/category	Ethernet CAT5 (IEC 11801:2002)
----------------------	--------------------------------

### Environmental and real-life conditions

#### Ambient conditions

Degree of protection	IP65
	IP67
	IP65/IP67
Ambient temperature (operation) (male connector/female connector)	-25 °C ... 85 °C

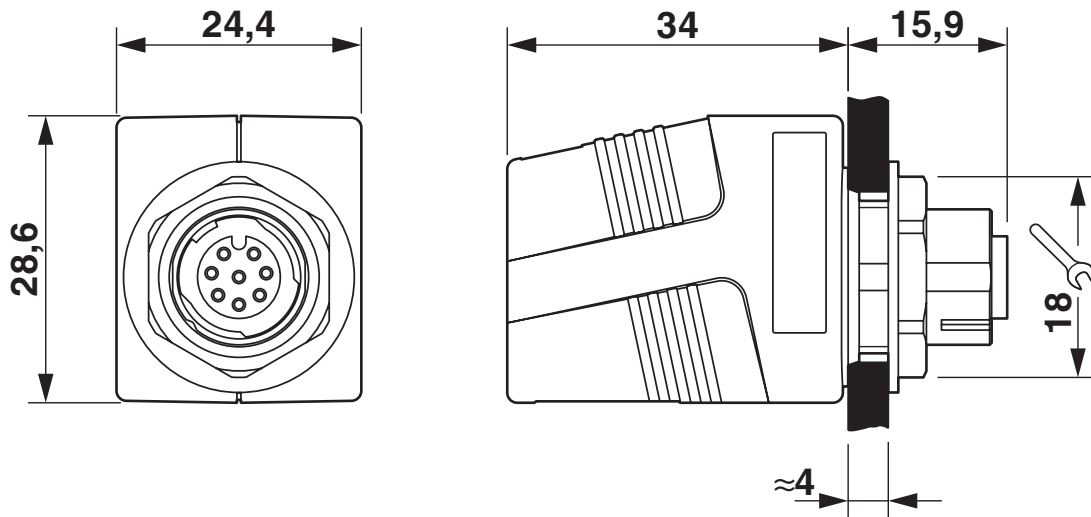
# VS-BH-M12FSD-RJ45/180 - Control cabinet feed-through

1657494

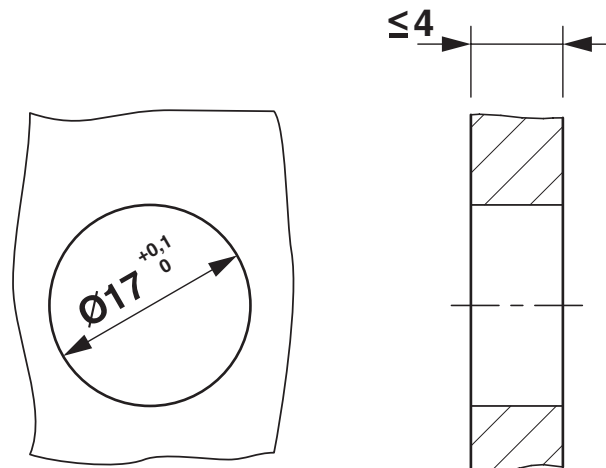
<https://www.phoenixcontact.com/us/products/1657494>

## Drawings

Dimensional drawing



Dimensional drawing



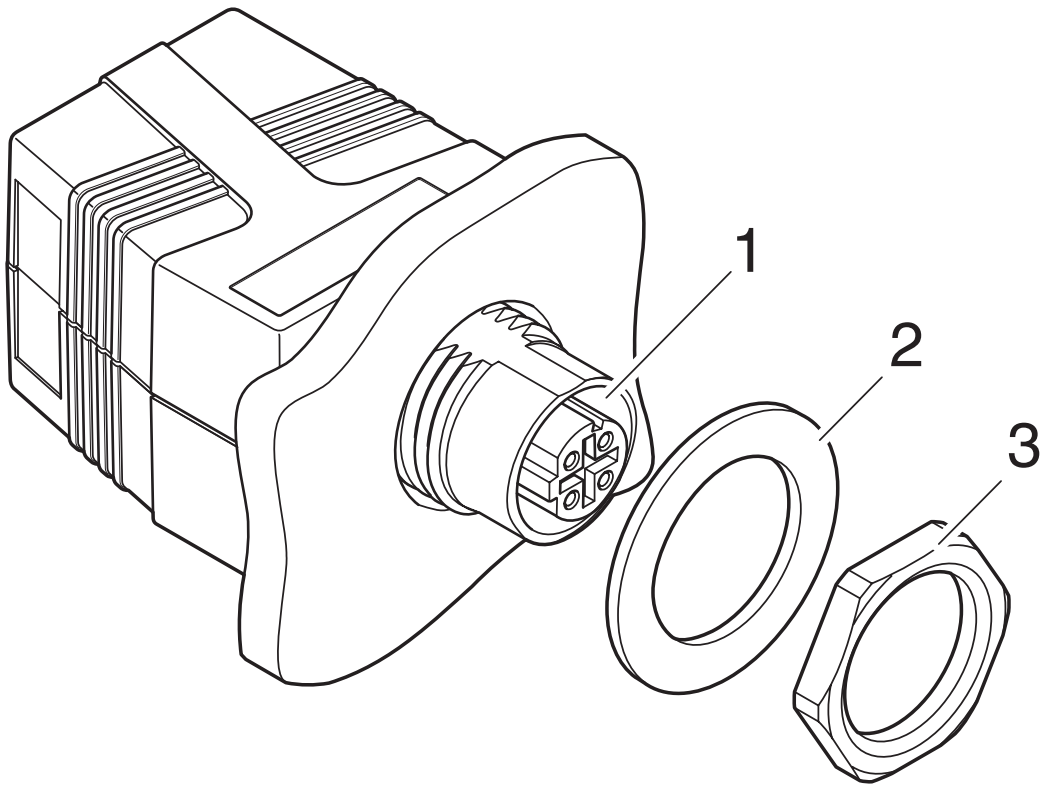
Mounting cutout

# VS-BH-M12FSD-RJ45/180 - Control cabinet feed-through

1657494

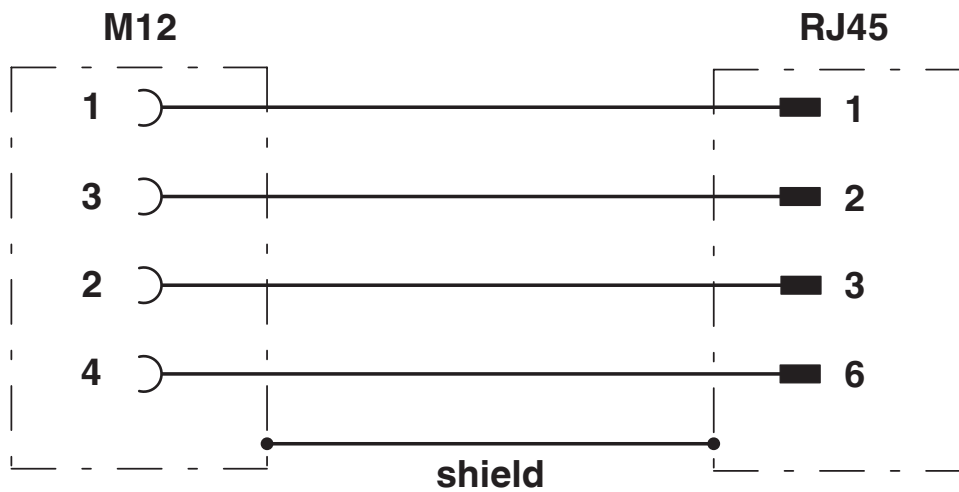
<https://www.phoenixcontact.com/us/products/1657494>

Exploded view



Exploded drawing

Circuit diagram



Circuit diagram

# VS-BH-M12FSD-RJ45/180 - Control cabinet feed-through



1657494

<https://www.phoenixcontact.com/us/products/1657494>

## Environmental product compliance

### EU RoHS

Fulfills EU RoHS substance requirements	Yes
Exemption	6(c)

### EU REACH SVHC

REACH candidate substance (CAS No.)	No substance above 0.1 wt%
-------------------------------------	----------------------------

Phoenix Contact 2026 © - all rights reserved  
<https://www.phoenixcontact.com>

Phoenix Contact USA  
586 Fulling Mill Road  
Middletown, PA 17057, United States  
(+717) 944-1300  
[info@phoenixcon.com](mailto:info@phoenixcon.com)