

VS-PC-2X-POF-980-SCRJ/FSMA-1 - FO connecting cable



1657106

<https://www.phoenixcontact.com/us/products/1657106>

Please be informed that the data shown in this PDF document is generated from our online catalog. Please find the complete data in the user documentation. Our general terms of use for downloads are valid.



Assembled FO cable, break-out cable, polymer fiber 980/1000 μm , SC-RJ/IP20 on FSMA/IP20, for installation inside the control cabinets, the conductor is suitable for the UV-protected outside insert, length: 1 m

Commercial data

Item number	1657106
Packing unit	1 pc
Note	Made to order (non-returnable)
Sales key	AB16
Product key	ABNIBA
GTIN	4046356100168
Weight per piece (including packing)	44 g
Weight per piece (excluding packing)	35.9 g
Customs tariff number	85447000
Country of origin	CZ

VS-PC-2X-POF-980-SCRJ/FSMA-1 - FO connecting cable



1657106

<https://www.phoenixcontact.com/us/products/1657106>

Technical data

Product properties

Product type	Data cable preassembled
Sensor type	Ethernet
Number of positions	2
Connection profile	SCRJ in accordance with DIN EN 50377-6-1
Number of slots	2

Electrical properties

Attenuation	< 1.7 dB (with 660 nm)
Transmission medium	FO

Mechanical properties

Mechanical data

Insertion/withdrawal cycles	≥ 1000
-----------------------------	--------

Material specifications

Housing material	PBT/nickel silver
Outer sheath, material	PE

Connection data

Connection technology

Connection method	POF SC-RJ
-------------------	-----------

Conductor connection

Connection method	POF SC-RJ
-------------------	-----------

Connector

Connection 1

Type	Plug straight SC-RJ
Degree of protection	IP20

Connection 2

Type	Plug straight FSMA
Degree of protection	IP20

Cable/line

Cable type	Polymer fiber (980 / 1000 µm)
Cable type	Break-out cable
Outer sheath, material	PE
External sheath, color	black
Smallest bending radius, fixed installation	30 mm

VS-PC-2X-POF-980-SCRJ/FSMA-1 - FO connecting cable



1657106

<https://www.phoenixcontact.com/us/products/1657106>

Smallest bending radius, movable installation	30 mm
---	-------

FO cable

Number of fibers	2
Fiber	Polymer fiber, 980/1000 µm
Fiber type	POF fiber A4A
Transmission medium	FO

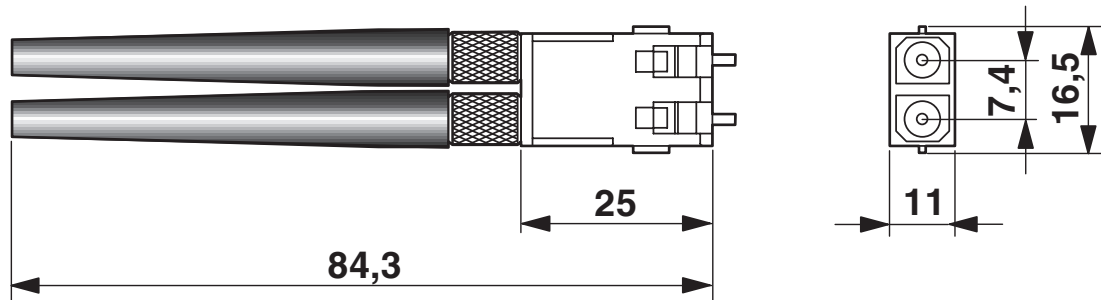
VS-PC-2X-POF-980-SCRJ/FSMA-1 - FO connecting cable

1657106

<https://www.phoenixcontact.com/us/products/1657106>

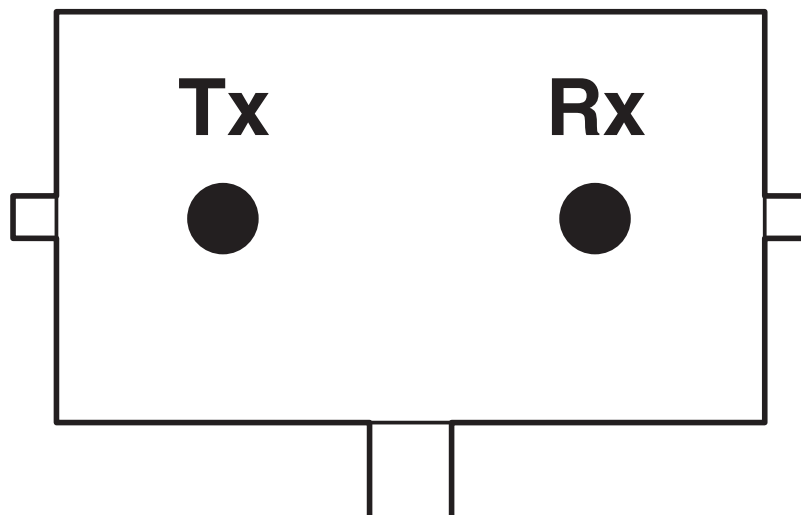
Drawings

Dimensional drawing



SC-RJ connector IP20

Schematic diagram



Pin assignment plug SCRJ

VS-PC-2X-POF-980-SCRJ/FSMA-1 - FO connecting cable



1657106

<https://www.phoenixcontact.com/us/products/1657106>

Classifications

UNSPSC

UNSPSC 21.0	26121607
-------------	----------

VS-PC-2X-POF-980-SCRJ/FSMA-1 - FO connecting cable



1657106

<https://www.phoenixcontact.com/us/products/1657106>

Environmental product compliance

China RoHS

Environment friendly use period (EFUP)	EFUP-50
	An article-related China RoHS declaration table can be found in the download area for the respective article under "Manufacturer declaration". For all articles with EFUP-E, no China RoHS declaration table issued and required.

EU REACH SVHC

REACH candidate substance (CAS No.)	No substance above 0.1 wt%
-------------------------------------	----------------------------

Phoenix Contact 2026 © - all rights reserved

<https://www.phoenixcontact.com>

Phoenix Contact USA
586 Fulling Mill Road
Middletown, PA 17057, United States
(+717) 944-1300
info@phoenixcon.com