

VS-SCRJ-GOF-FA-IP67 - FO connectors



1657083

<https://www.phoenixcontact.com/us/products/1657083>

Please be informed that the data shown in this PDF document is generated from our online catalog. Please find the complete data in the user documentation. Our general terms of use for downloads are valid.



SC-RJ fiber optic connector, IP67, duplex, with fast connection technology, for multimode fiberglass 50/125 μm , for an individual wire diameter of 600 and 900 μm , for a cable diameter of 5.0 mm ... 8.5 mm

SC-RJ

Your advantages

- For easy field connection
- Suitable for use in harsh environments

Commercial data

Item number	1657083
Packing unit	1 pc
Note	Made to order (non-returnable)
Sales key	NULL
Product key	ABNNBA
GTIN	4046356100137
Weight per piece (including packing)	31.4 g
Weight per piece (excluding packing)	31.4 g
Customs tariff number	85367000
Country of origin	DE

VS-SCRJ-GOF-FA-IP67 - FO connectors

1657083

<https://www.phoenixcontact.com/us/products/1657083>

Technical data

Notes

Order information:	Only for assembly with tool 1658228 VS-GOF-FA-KONFTOOL-EU and 1658231 VS-GOF-FA-KONFTOOL-US. Not suitable for assembly with tool 1411049 FOC-TOOL-GOF KONF SET9.
--------------------	--

Product properties

Product type	Fiber optic connector (cable side)
Application	neutral
Type	SCRJ
Number of positions	2
Connection profile	SCRJ in acc. with IEC 61754-24
No. of cable outlets	1
No. of conductors	1
Cable outlet	straight

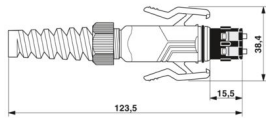
Electrical properties

Attenuation	≤ 0.5 dB (Insertion attenuation)
-------------	----------------------------------

Interfaces

Signal type/category	Ethernet
----------------------	----------

Dimensions

Dimensional drawing	
Width	38.4 mm
Height	20 mm
Length	122 mm

Mechanical characteristics

Ferrule diameter	2.50 mm
------------------	---------

Material specifications

Color	gray
Material	Plastic
Flammability rating according to UL 94	V0
Ferrule material	Zirconia ceramics
Housing material	PA
Cable seal material	NBR
O-ring material	FPM

VS-SCRJ-GOF-FA-IP67 - FO connectors



1657083

<https://www.phoenixcontact.com/us/products/1657083>

Cable/line

Cable type	Fiberglass
Cable type	for all common cable types
Signal type/category	Ethernet
External cable diameter	5 mm ... 8.5 mm
External cable diameter	5 mm ... 8.5 mm
Wire diameter	2.9 mm

FO cable

Number of fibers	2
Fiber	GOF
Fiber type	Multi-mode fiberglass

Mechanical properties

Mechanical data

Insertion/withdrawal cycles	≥ 1000
-----------------------------	--------

Characteristics

Attenuation	≤ 0.5 dB (Insertion attenuation)
-------------	----------------------------------

Environmental and real-life conditions

Ambient conditions

Degree of protection	IP65/IP67
	IP67
Ambient temperature (operation)	-20 °C ... 70 °C

Mounting

cable layer type	Outdoors and indoors
------------------	----------------------

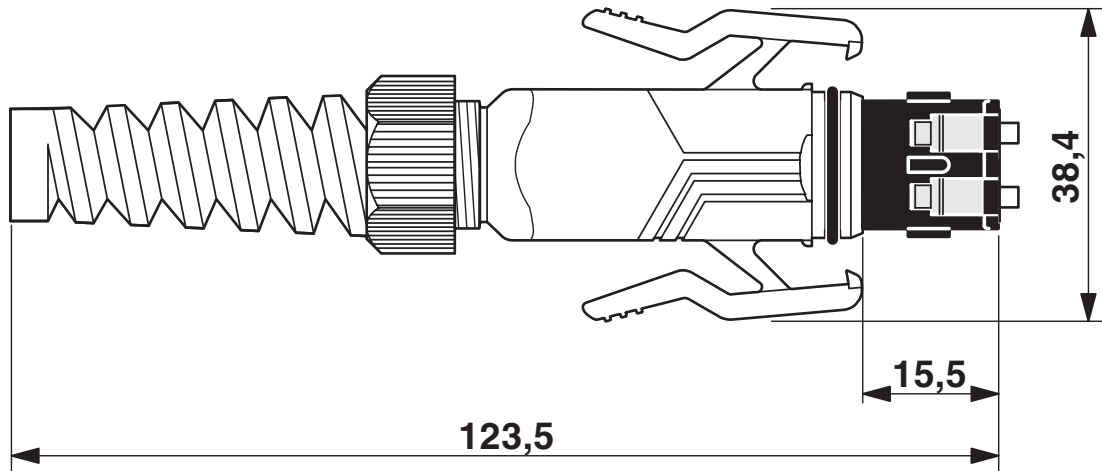
VS-SCRJ-GOF-FA-IP67 - FO connectors

1657083

<https://www.phoenixcontact.com/us/products/1657083>

Drawings

Dimensional drawing



SC-RJ connector IP67

VS-SCRJ-GOF-FA-IP67 - FO connectors



1657083

<https://www.phoenixcontact.com/us/products/1657083>

Classifications

ECLASS

ECLASS-13.0	19170122
ECLASS-15.0	19170122

VS-SCRJ-GOF-FA-IP67 - FO connectors



1657083

<https://www.phoenixcontact.com/us/products/1657083>

Environmental product compliance

China RoHS

Environment friendly use period (EFUP)	EFUP-50 An article-related China RoHS declaration table can be found in the download area for the respective article under "Manufacturer declaration". For all articles with EFUP-E, no China RoHS declaration table issued and required.
--	--

EU REACH SVHC

REACH candidate substance (CAS No.)	No substance above 0.1 wt%
-------------------------------------	----------------------------

Phoenix Contact 2026 © - all rights reserved
<https://www.phoenixcontact.com>

Phoenix Contact USA
586 Fulling Mill Road
Middletown, PA 17057, United States
(+717) 944-1300
info@phoenixcon.com