

# VS-DSIV-M12FSD/2,0-RJ45 - Network cable



1656767

<https://www.phoenixcontact.com/us/products/1656767>

Please be informed that the data shown in this PDF document is generated from our online catalog. Please find the complete data in the user documentation. Our general terms of use for downloads are valid.



Flush-type connector M12, 4-pos., D-coded, for rear mounting, with Ethernet cable AWG 26 stranded (7-wire) and RJ45 connector, length: 2 m

## Commercial data

Item number	1656767
Packing unit	1 pc
Note	Made to order (non-returnable)
Sales key	NULL
Product key	ABNMAY
GTIN	4046356030076
Weight per piece (including packing)	129.6 g
Weight per piece (excluding packing)	125.4 g
Customs tariff number	85444210
Country of origin	DE

# VS-DSIV-M12FSD/2,0-RJ45 - Network cable



1656767

<https://www.phoenixcontact.com/us/products/1656767>

## Technical data

### Product properties

Product type	Data cable preassembled
Number of positions	4
Shielded	yes

### Insulation characteristics

Degree of pollution	2
---------------------	---

### Electrical properties

Rated voltage (III/3)	60 V
Rated current	1 A
Transmission characteristics (category)	CAT5 (IEC 11801:2002)

### Mechanical properties

#### Mechanical data

Insertion/withdrawal cycles	≥ 100
-----------------------------	-------

### Material specifications

Housing material	CuZn/PA
Outer sheath, material	PUR
Conductor material	Bare Cu litz wires

### Cable/line

Cable length	2 m
--------------	-----

#### Ethernet [93E]

Shielded	yes
Cable weight	42 kg/km
Cable type	Ethernet
Cable type (abbreviation)	93E
Signal type/category	Ethernet CAT5 (IEC 11801:2002)
Cable structure	2x2xAWG26/7 PIMF
External cable diameter	6.70 mm
Outer sheath, material	PUR
External sheath, color	water blue RAL 5021
Conductor material	Bare Cu litz wires
Conductor structure signal line	7x 0.15 mm
AWG signal line	26
Conductor cross-section	2x 2x 0.14 mm <sup>2</sup>
Material wire insulation	Cell PE
Wire diameter incl. insulation	≤ 1.05 mm
Single wire, color	white/orange-orange, white/green-green

# VS-DSIV-M12FSD/2,0-RJ45 - Network cable



1656767

<https://www.phoenixcontact.com/us/products/1656767>

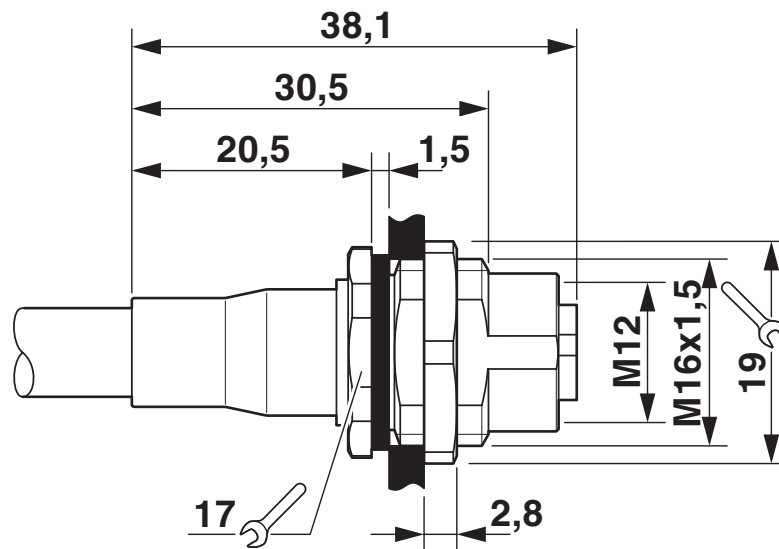
Twisted pairs	2 cores to the pair
Type of pair shielding	Aluminum-lined polyester foil
Overall twist	Two pairs with two fillers to the core
Shielding	Tinned copper braided shield
Nominal voltage, cable	max. 125 V
Test voltage, cable	1000 V
Cable resistance	≤ 150 Ω/km
Cable insulation resistance	≥ 5 GΩ*km
Coupling resistance	5.00 mΩ/m (at 10 MHz)
Wave impedance	100 Ω ±5 % (at 100 MHz)
Working capacitance	42 pF
Signal speed	0.72 c
Tensile strength	30 N (for installation) 10 N (in accordance with installation)
Smallest bending radius, movable installation	34 mm
Shield attenuation	60.00 dB (up to 1000 MHz)
Halogen-free	complying with IEC 60754-1/2
Resistance to oil	in accordance with DIN EN 60811-2-1
Concentration of fumes	in accordance with IEC 61034-1/2
Flame resistance	complying with IEC 60332-2-2
Other resistance	Microbe resistance as per VDE 0282 section 10 Hydrolysis resistance as per DIN 53504
Special properties	Free of substances which would hinder coating with paint or varnish
Ambient temperature (operation)	-10 °C ... 50 °C (Cable, flexible installation) -40 °C ... 70 °C (cable, fixed installation)

1656767

<https://www.phoenixcontact.com/us/products/1656767>

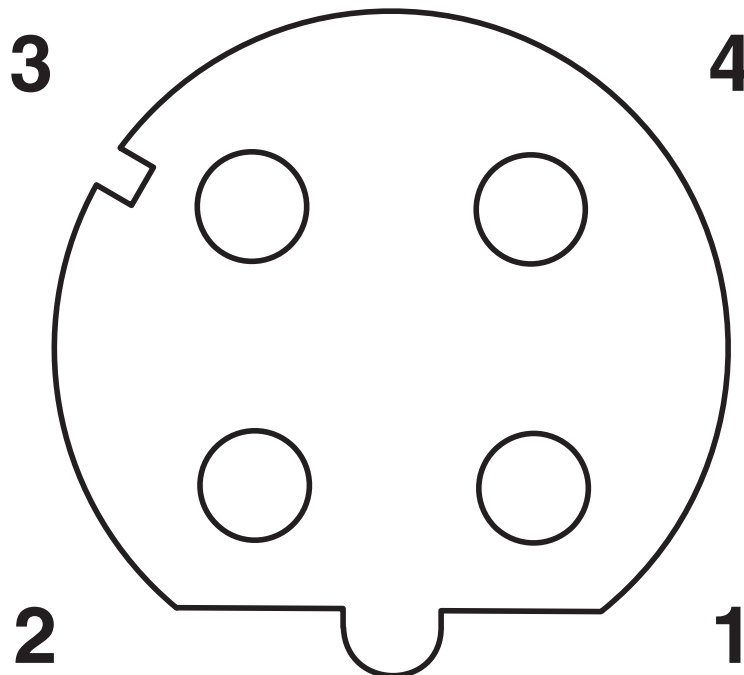
Drawings

Dimensional drawing



M12 flush-type connector

Schematic diagram



Pin assignment M12 socket, 4-pos., D-coded, female side

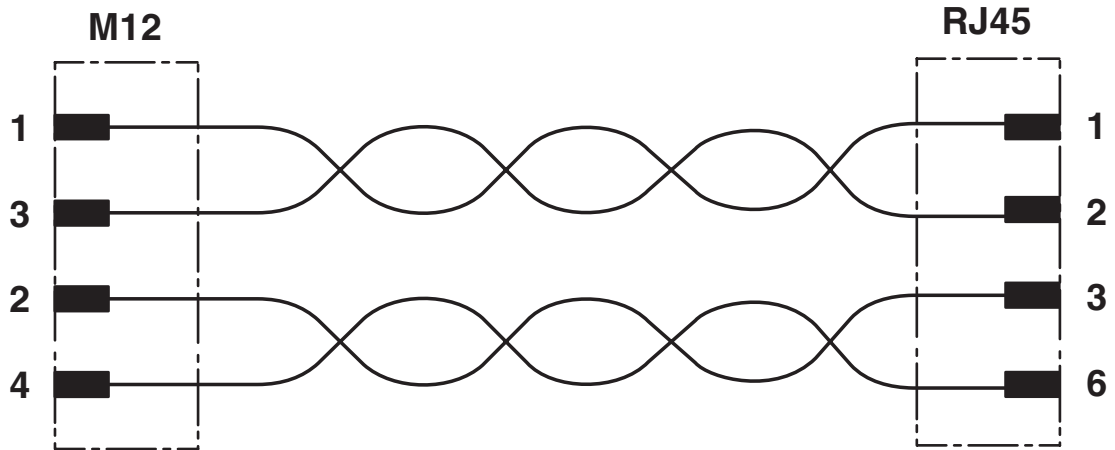
# VS-DSIV-M12FSD/2,0-RJ45 - Network cable



1656767

<https://www.phoenixcontact.com/us/products/1656767>

Circuit diagram



# VS-DSIV-M12FSD/2,0-RJ45 - Network cable



1656767

<https://www.phoenixcontact.com/us/products/1656767>

## Environmental product compliance

EU REACH SVHC

REACH candidate substance (CAS No.)	No substance above 0.1 wt%
-------------------------------------	----------------------------

Phoenix Contact 2026 © - all rights reserved

<https://www.phoenixcontact.com>

Phoenix Contact USA  
586 Fulling Mill Road  
Middletown, PA 17057, United States  
(+717) 944-1300  
[info@phoenixcon.com](mailto:info@phoenixcon.com)