

# VS-PC-2XPOF-980-SCRJ/SCRJ-1 - FO connecting cable



1656738

<https://www.phoenixcontact.com/us/products/1656738>

Please be informed that the data shown in this PDF document is generated from our online catalog. Please find the complete data in the user documentation. Our general terms of use for downloads are valid.



Assembled FO cable, breakout cable, 980/1000  $\mu\text{m}$  polymer fiber, SC-RJ/IP20 to SC-RJ/IP20, for installation inside control cabinets, the cable is suitable for UV-protected outdoor use, length: 1 m

## Your advantages

- Reliable data transmission, thanks to high quality
- Fast data transmission for demanding applications
- Particularly suitable in EMC-sensitive applications
- Space savings in the control cabinet, thanks to SC-RJ connectors
- Preassembled patch cable for easy use

## Commercial data

Item number	1656738
Packing unit	1 pc
Minimum order quantity	1 pc
Sales key	AB16
Product key	ABNIBA
GTIN	4046356030052
Weight per piece (including packing)	58.566 g
Weight per piece (excluding packing)	42.5 g
Customs tariff number	85447000
Country of origin	DE

# VS-PC-2XPOF-980-SCRJ/SCRJ-1 - FO connecting cable



1656738

<https://www.phoenixcontact.com/us/products/1656738>

## Technical data

### Product properties

Product type	Data cable preassembled
Number of positions	2
Connection profile	SCRJ in accordance with DIN EN 50377-6-1
Number of slots	2

### Interfaces

Signal type/category	Ethernet
----------------------	----------

### Electrical properties

Attenuation	< 1.7 dB (with 660 nm)
Transmission medium	FO

### Mechanical properties

#### Mechanical data

Insertion/withdrawal cycles	≥ 1000
-----------------------------	--------

### Material specifications

Housing material	PBT
Contact material	Phosphor bronze
Outer sheath, material	PE

### Connection data

#### Connection technology

Connection method	POF SC-RJ
-------------------	-----------

#### Conductor connection

Connection method	POF SC-RJ
-------------------	-----------

### Connector

#### Connection 1

Type	Plug straight SC-RJ
Handle color	black
Insertion/withdrawal cycles	≥ 1000
Degree of protection	IP20

#### Connection 2

Type	Plug straight SC-RJ
Degree of protection	IP20

### Cable/line

Cable length	1.00 m
--------------	--------

# VS-PC-2XPOF-980-SCRJ/SCRJ-1 - FO connecting cable



1656738

<https://www.phoenixcontact.com/us/products/1656738>

Cable type	Polymer fiber (980 / 1000 µm)
Cable type	Break-out cable
Signal type/category	Ethernet
Outer sheath, material	PE
External sheath, color	black
Smallest bending radius, fixed installation	30 mm
Smallest bending radius, movable installation	30 mm

## FO cable

Number of fibers	2
Fiber	Polymer fiber, 980/1000 µm
Fiber type	POF fiber A4A
Transmission medium	Multi-mode fiberglass

## Environmental and real-life conditions

### Ambient conditions

Degree of protection	IP20
	IP20
Ambient temperature (operation) (fixed installation)	-20 °C ... 70 °C
Ambient temperature (operation) (flexible installation)	-20 °C ... 60 °C
Ambient temperature (operation) (male connector/female connector)	-20 °C ... 70 °C
Ambient temperature (storage/transport)	-40 °C ... 85 °C
Ambient temperature (assembly)	-5 °C ... 50 °C

# VS-PC-2XPOF-980-SCRJ/SCRJ-1 - FO connecting cable

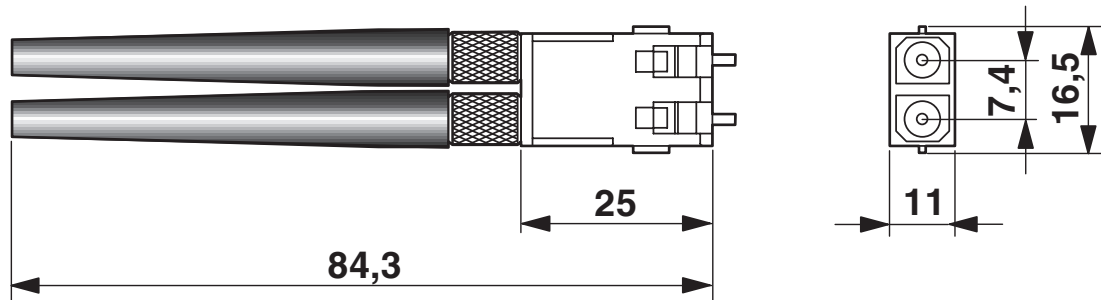


1656738

<https://www.phoenixcontact.com/us/products/1656738>

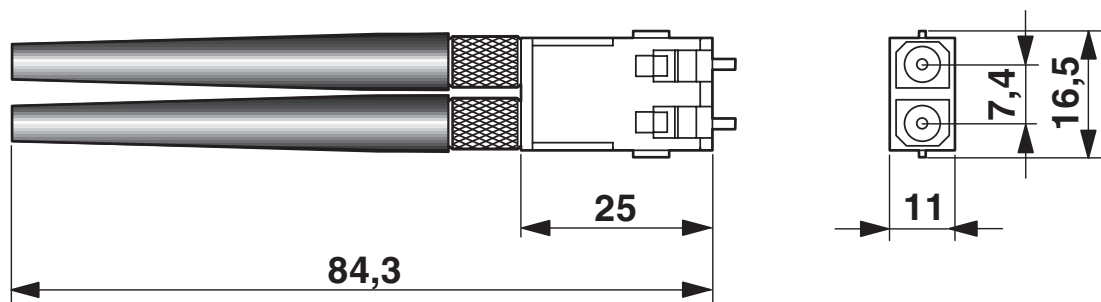
## Drawings

Dimensional drawing



SC-RJ connector, POD, IP20

Dimensional drawing



SC-RJ connector, POD, IP20

# VS-PC-2XPOF-980-SCRJ/SCRJ-1 - FO connecting cable

1656738

<https://www.phoenixcontact.com/us/products/1656738>

Schematic diagram



Pin assignment plug SCRJ

Schematic diagram



Pin assignment plug SCRJ

# VS-PC-2XPOF-980-SCRJ/SCRJ-1 - FO connecting cable



1656738

<https://www.phoenixcontact.com/us/products/1656738>

## Classifications

### ECLASS

ECLASS-13.0	27061003
ECLASS-15.0	27061003

### ETIM

ETIM 10.0	EC002700
-----------	----------

### UNSPSC

UNSPSC 21.0	26121600
-------------	----------

# VS-PC-2XPOF-980-SCRJ/SCRJ-1 - FO connecting cable



1656738

<https://www.phoenixcontact.com/us/products/1656738>

## Environmental product compliance

### EU RoHS

Fulfills EU RoHS substance requirements	Yes
Exemption	6(c)

### China RoHS

Environment friendly use period (EFUP)	EFUP-50
	An article-related China RoHS declaration table can be found in the download area for the respective article under "Manufacturer declaration". For all articles with EFUP-E, no China RoHS declaration table issued and required.

### EU REACH SVHC

REACH candidate substance (CAS No.)	Lead(CAS: 7439-92-1)
SCIP	ebdee353-cafb-4b37-9105-3c4fe43b0d3e

### EF3.1 Climate Change

CO2e kg	19.974 kg CO2e
---------	----------------

Phoenix Contact 2026 © - all rights reserved  
<https://www.phoenixcontact.com>

Phoenix Contact USA  
586 Fulling Mill Road  
Middletown, PA 17057, United States  
(+717) 944-1300  
[info@phoenixcon.com](mailto:info@phoenixcon.com)