

# VS-SI-FP-BP - Front plate

1656657

<https://www.phoenixcontact.com/us/products/1656657>

Please be informed that the data shown in this PDF document is generated from our online catalog. Please find the complete data in the user documentation. Our general terms of use for downloads are valid.

Front plate



## Commercial data

Item number	1656657
Packing unit	1 pc
Minimum order quantity	1 pc
Sales key	BF70
Product key	AF7ECX
GTIN	4046356030021
Weight per piece (including packing)	19.7 g
Weight per piece (excluding packing)	18.4 g
Customs tariff number	39269097
Country of origin	DE

# VS-SI-FP-BP - Front plate

1656657

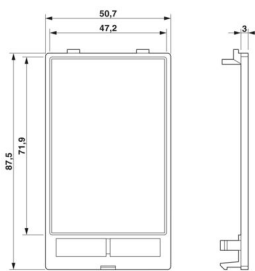
<https://www.phoenixcontact.com/us/products/1656657>

## Technical data

### Product properties

Product type	Data front plate
--------------	------------------

### Dimensions

Dimensional drawing	
Width	51 mm
Height	12 mm
Length	87.5 mm

### Material specifications

Material Housing	PBT
Flammability rating according to UL 94	V0

### Environmental and real-life conditions

#### Ambient conditions

Degree of protection	IP20
Ambient temperature (operation)	-10 °C ... 60 °C

### Mounting

Assembly note	suitable for all mounting frames
---------------	----------------------------------

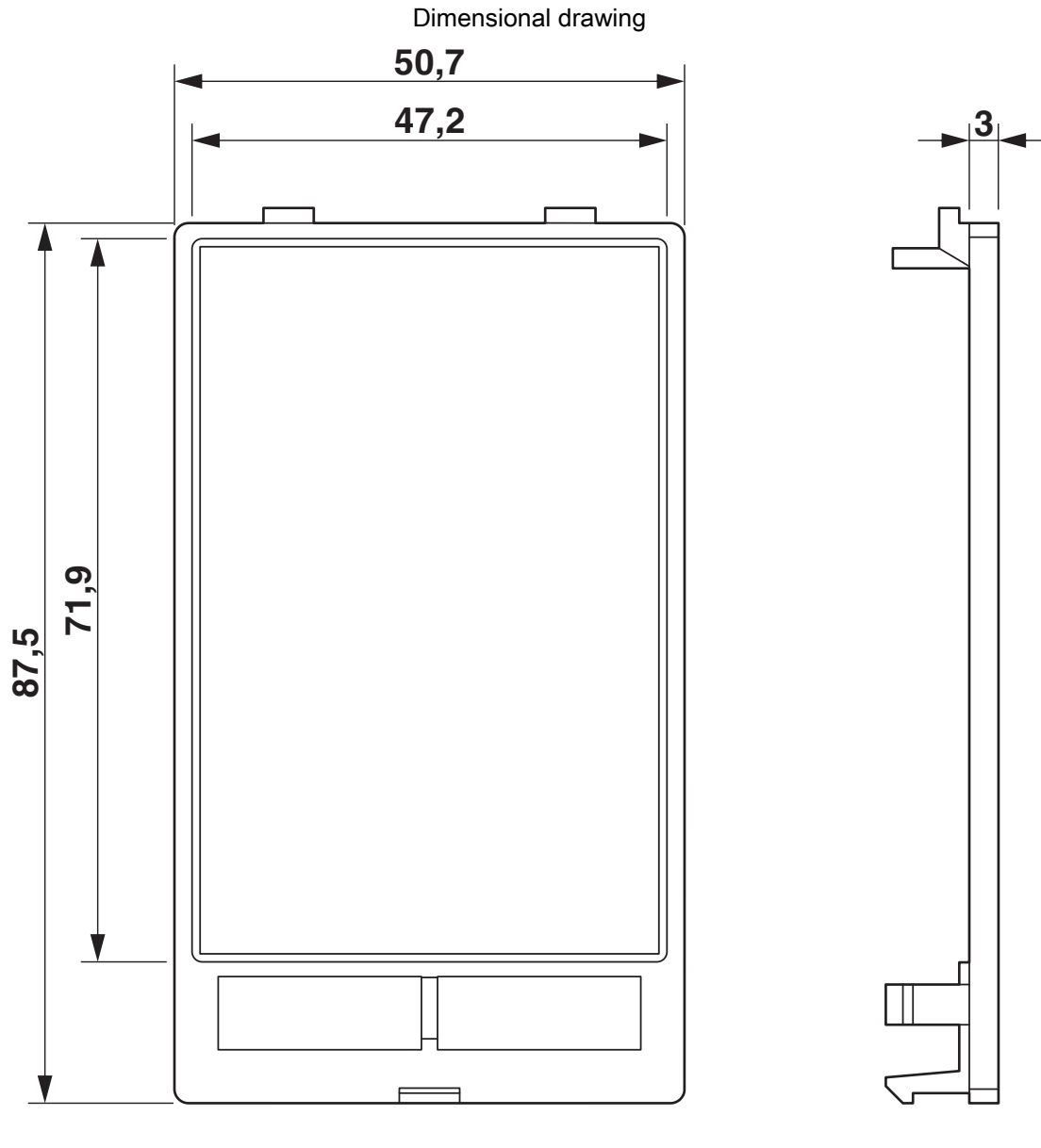
# VS-SI-FP-BP - Front plate

1656657

<https://www.phoenixcontact.com/us/products/1656657>



## Drawings



# VS-SI-FP-BP - Front plate



1656657

<https://www.phoenixcontact.com/us/products/1656657>

## Classifications

### ECLASS

ECLASS-13.0	27182806
ECLASS-15.0	27182806

### ETIM

ETIM 10.0	EC000456
-----------	----------

### UNSPSC

UNSPSC 21.0	39121300
-------------	----------

# VS-SI-FP-BP - Front plate

1656657

<https://www.phoenixcontact.com/us/products/1656657>



## Environmental product compliance

### EU RoHS

Fulfills EU RoHS substance requirements	Yes, No exemptions
---	--------------------

### China RoHS

Environment friendly use period (EFUP)	EFUP-E
	No hazardous substances above the limits

### EU REACH SVHC

REACH candidate substance (CAS No.)	No substance above 0.1 wt%
-------------------------------------	----------------------------

### EF3.1 Climate Change

CO2e kg	0.552 kg CO2e
---------	---------------

Phoenix Contact 2026 © - all rights reserved  
<https://www.phoenixcontact.com>

Phoenix Contact USA  
586 Fulling Mill Road  
Middletown, PA 17057, United States  
(+717) 944-1300  
[info@phoenixcon.com](mailto:info@phoenixcon.com)