

VS-SI-FP-DSUB9-DSUB25 - Front plate



1656589

<https://www.phoenixcontact.com/us/products/1656589>

Please be informed that the data shown in this PDF document is generated from our online catalog. Please find the complete data in the user documentation. Our general terms of use for downloads are valid.



Data front plate, plastic, for 1 x 9-pos. D-SUB and 1 x 25-pos. D-SUB, item 1656961 may be required for mounting D-SUB inserts

Commercial data

Item number	1656589
Packing unit	1 pc
Note	Made to order (non-returnable)
Sales key	BF70
Product key	AF7ECX
GTIN	4046356029957
Weight per piece (including packing)	21.2 g
Weight per piece (excluding packing)	20.4 g
Customs tariff number	85389099
Country of origin	DE

VS-SI-FP-DSUB9-DSUB25 - Front plate

1656589

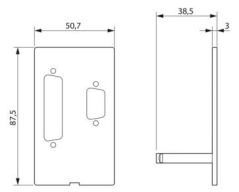
<https://www.phoenixcontact.com/us/products/1656589>

Technical data

Product properties

Product type	Data front plate
Number of slots	2

Dimensions

Dimensional drawing	
Width	51 mm
Height	40 mm
Length	87.5 mm

Material specifications

Material Front plate	PBT (Front plate)
Flammability rating according to UL 94	V0

Environmental and real-life conditions

Ambient conditions

Ambient temperature (operation)	-10 °C ... 60 °C
---------------------------------	------------------

Mounting

Assembly note	suitable for all mounting frames
---------------	----------------------------------

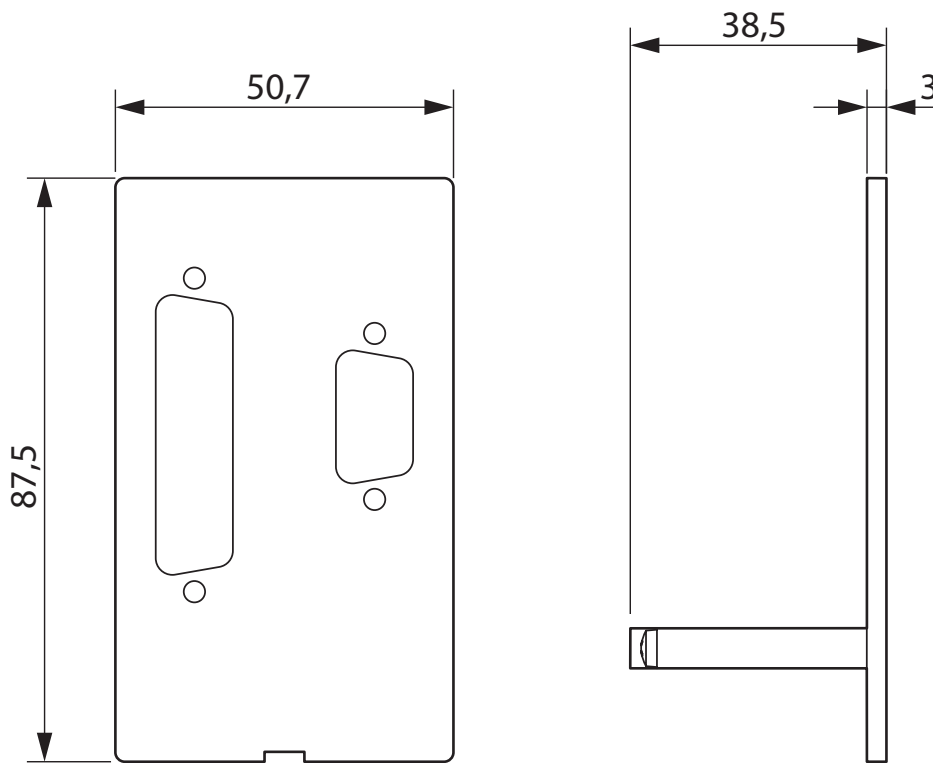
VS-SI-FP-DSUB9-DSUB25 - Front plate

1656589

<https://www.phoenixcontact.com/us/products/1656589>

Drawings

Dimensional drawing



Dimensional drawing

VS-SI-FP-DSUB9-DSUB25 - Front plate



1656589

<https://www.phoenixcontact.com/us/products/1656589>

Classifications

ECLASS

ECLASS-13.0	27182806
ECLASS-15.0	27182806

UNSPSC

UNSPSC 21.0	39121302
-------------	----------

1656589

<https://www.phoenixcontact.com/us/products/1656589>

Environmental product compliance

EU RoHS

Fulfills EU RoHS substance requirements	Yes
Exemption	6(c)

China RoHS

Environment friendly use period (EFUP)	EFUP-50
	An article-related China RoHS declaration table can be found in the download area for the respective article under "Manufacturer declaration". For all articles with EFUP-E, no China RoHS declaration table issued and required.

EU REACH SVHC

REACH candidate substance (CAS No.)	Lead(CAS: 7439-92-1)
-------------------------------------	----------------------

Phoenix Contact 2026 © - all rights reserved
<https://www.phoenixcontact.com>

Phoenix Contact USA
586 Fulling Mill Road
Middletown, PA 17057, United States
(+717) 944-1300
info@phoenixcon.com