

# VS-SI-FP-2DSUB9 - Data front plate

1656563

<https://www.phoenixcontact.com/us/products/1656563>

Please be informed that the data shown in this PDF document is generated from our online catalog. Please find the complete data in the user documentation. Our general terms of use for downloads are valid.



Data front plate, plastic, for 2 x 9-pos. D-SUB, item 1656961 may be required for mounting D-SUB inserts

## Commercial data

Item number	1656563
Packing unit	1 pc
Note	Made to order (non-returnable)
Sales key	BF70
Product key	AF7ECX
GTIN	4046356029933
Weight per piece (including packing)	23.3 g
Weight per piece (excluding packing)	21.2 g
Customs tariff number	85389099
Country of origin	DE

# VS-SI-FP-2DSUB9 - Data front plate

1656563

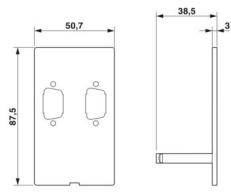
<https://www.phoenixcontact.com/us/products/1656563>

## Technical data

### Product properties

Product type	Data front plate
Number of slots	2

### Dimensions

Dimensional drawing	
Width	51 mm
Height	40 mm
Length	87.5 mm

### Material specifications

Material Data front plate	PBT (Data front plate)
Flammability rating according to UL 94	V0

### Environmental and real-life conditions

#### Ambient conditions

Ambient temperature (operation)	-10 °C ... 60 °C
---------------------------------	------------------

### Mounting

Assembly note	suitable for all mounting frames
---------------	----------------------------------

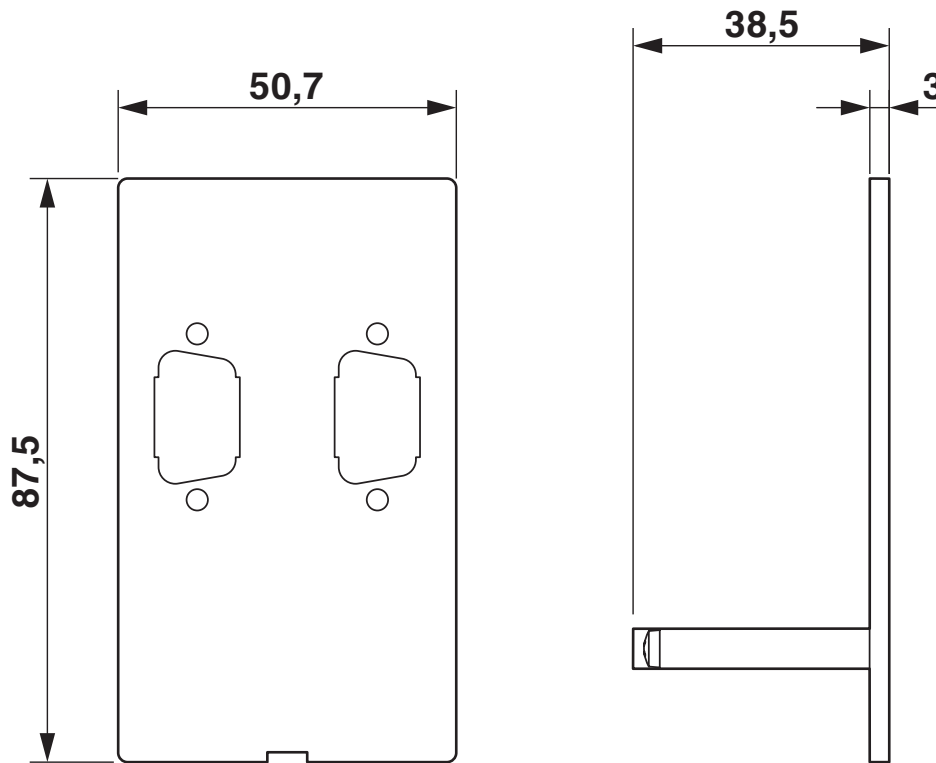
# VS-SI-FP-2DSUB9 - Data front plate

1656563

<https://www.phoenixcontact.com/us/products/1656563>

## Drawings

Dimensional drawing



Data front plate

# VS-SI-FP-2DSUB9 - Data front plate



1656563

<https://www.phoenixcontact.com/us/products/1656563>

## Classifications

### ECLASS

ECLASS-13.0	27182806
ECLASS-15.0	27182806

### UNSPSC

UNSPSC 21.0	39121302
-------------	----------

1656563

<https://www.phoenixcontact.com/us/products/1656563>

## Environmental product compliance

### EU RoHS

Fulfills EU RoHS substance requirements	Yes, No exemptions
---	--------------------

### China RoHS

Environment friendly use period (EFUP)	EFUP-50
	An article-related China RoHS declaration table can be found in the download area for the respective article under "Manufacturer declaration". For all articles with EFUP-E, no China RoHS declaration table issued and required.

### EU REACH SVHC

REACH candidate substance (CAS No.)	No substance above 0.1 wt%
-------------------------------------	----------------------------

Phoenix Contact 2026 © - all rights reserved

<https://www.phoenixcontact.com>

Phoenix Contact USA  
586 Fulling Mill Road  
Middletown, PA 17057, United States  
(+717) 944-1300  
[info@phoenixcon.com](mailto:info@phoenixcon.com)