

# VS-SI-SD-IT - Socket insert

1656550

<https://www.phoenixcontact.com/us/products/1656550>



Please be informed that the data shown in this PDF document is generated from our online catalog. Please find the complete data in the user documentation. Our general terms of use for downloads are valid.

Socket insert, connection method: Screw connection, Italy



## Commercial data

Item number	1656550
Packing unit	1 pc
Minimum order quantity	1 pc
Sales key	BF70
Product key	AF7EBX
GTIN	4046356029926
Weight per piece (including packing)	91.4 g
Weight per piece (excluding packing)	88.2 g
Customs tariff number	85366990
Country of origin	HU

# VS-SI-SD-IT - Socket insert



1656550

<https://www.phoenixcontact.com/us/products/1656550>

## Technical data

### Product properties

Product type	Socket
Country ID	Italy

### Electrical properties

Rated voltage (III/3)	250 V
Rated current	16 A

### Connection data

Connection method	Screw connection
-------------------	------------------

### Material specifications

Material Housing	PA
Flammability rating according to UL 94	V0

### Environmental and real-life conditions

#### Ambient conditions

Degree of protection	IP20
Ambient temperature (operation)	-10 °C ... 60 °C

### Mounting

Assembly note	suitable for all mounting frames
---------------	----------------------------------

# VS-SI-SD-IT - Socket insert

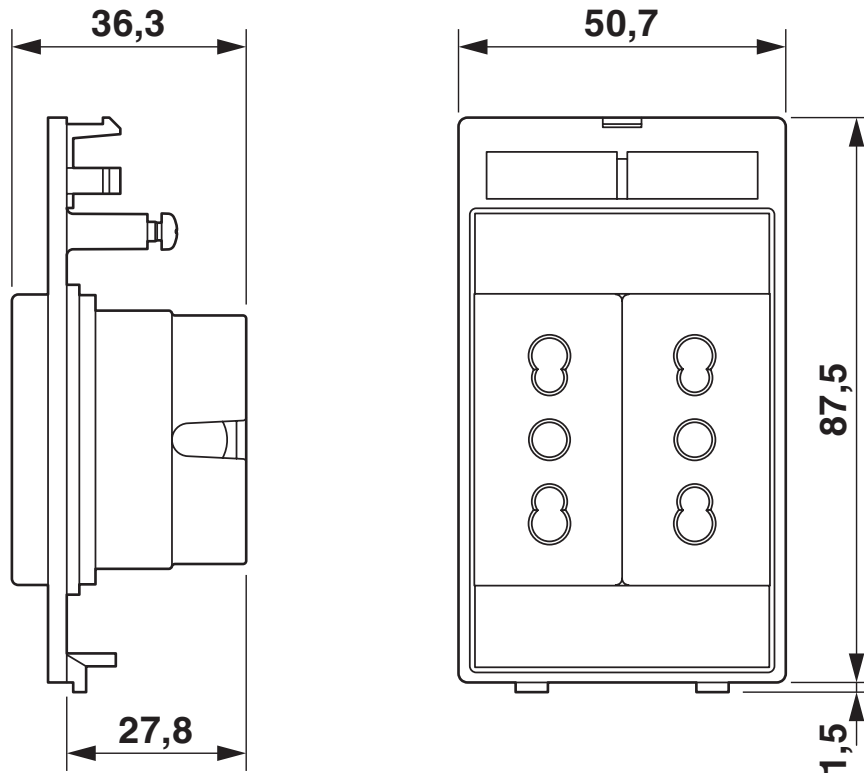
1656550

<https://www.phoenixcontact.com/us/products/1656550>



## Drawings

Dimensional drawing



Socket insert

# VS-SI-SD-IT - Socket insert



1656550

<https://www.phoenixcontact.com/us/products/1656550>

## Approvals

To download certificates, visit the product detail page: <https://www.phoenixcontact.com/us/products/1656550>



**EAC**

Approval ID: RU C-DE.A\*30.B.01102

# VS-SI-SD-IT - Socket insert

1656550

<https://www.phoenixcontact.com/us/products/1656550>



## Classifications

### ECLASS

ECLASS-15.0	27144021
ECLASS-13.0	27144021

### ETIM

ETIM 10.0	EC000450
-----------	----------

### UNSPSC

UNSPSC 21.0	39121400
-------------	----------

# VS-SI-SD-IT - Socket insert



1656550

<https://www.phoenixcontact.com/us/products/1656550>

## Environmental product compliance

### EU RoHS

Fulfills EU RoHS substance requirements	Yes
Exemption	6(c)

### China RoHS

Environment friendly use period (EFUP)	EFUP-50
	An article-related China RoHS declaration table can be found in the download area for the respective article under "Manufacturer declaration". For all articles with EFUP-E, no China RoHS declaration table issued and required.

### EU REACH SVHC

REACH candidate substance (CAS No.)	Lead(CAS: 7439-92-1)
SCIP	54c00bf6-be47-4ea3-9143-bc561ccf8228

Phoenix Contact 2026 © - all rights reserved

<https://www.phoenixcontact.com>

Phoenix Contact USA  
586 Fulling Mill Road  
Middletown, PA 17057, United States  
(+717) 944-1300  
[info@phoenixcon.com](mailto:info@phoenixcon.com)