

VS-SI-SD-FR - Socket insert



1656534

<https://www.phoenixcontact.com/us/products/1656534>

Please be informed that the data shown in this PDF document is generated from our online catalog. Please find the complete data in the user documentation. Our general terms of use for downloads are valid.

Ground contact socket, plastic, for France



Commercial data

Item number	1656534
Packing unit	1 pc
Minimum order quantity	1 pc
Sales key	BF70
Product key	AF7EBX
GTIN	4046356029902
Weight per piece (including packing)	161.2 g
Weight per piece (excluding packing)	154.2 g
Customs tariff number	85366990
Country of origin	BE

VS-SI-SD-FR - Socket insert

1656534

<https://www.phoenixcontact.com/us/products/1656534>

Technical data

Product properties

Product type	Socket
Country ID	France

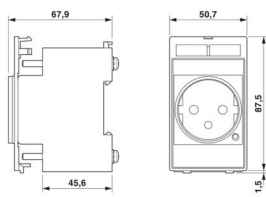
Electrical properties

Rated voltage (III/3)	250 V
Rated current	16 A

Connection data

Connection method	Screw connection
-------------------	------------------

Dimensions

Dimensional drawing	
Width	51 mm
Height	88 mm
Depth	68 mm

Material specifications

Material Housing	PA
Flammability rating according to UL 94	V0

Environmental and real-life conditions

Ambient conditions

Degree of protection	IP20
Ambient temperature (operation)	-10 °C ... 60 °C

Mounting

Assembly note	suitable for all mounting frames
---------------	----------------------------------

VS-SI-SD-FR - Socket insert

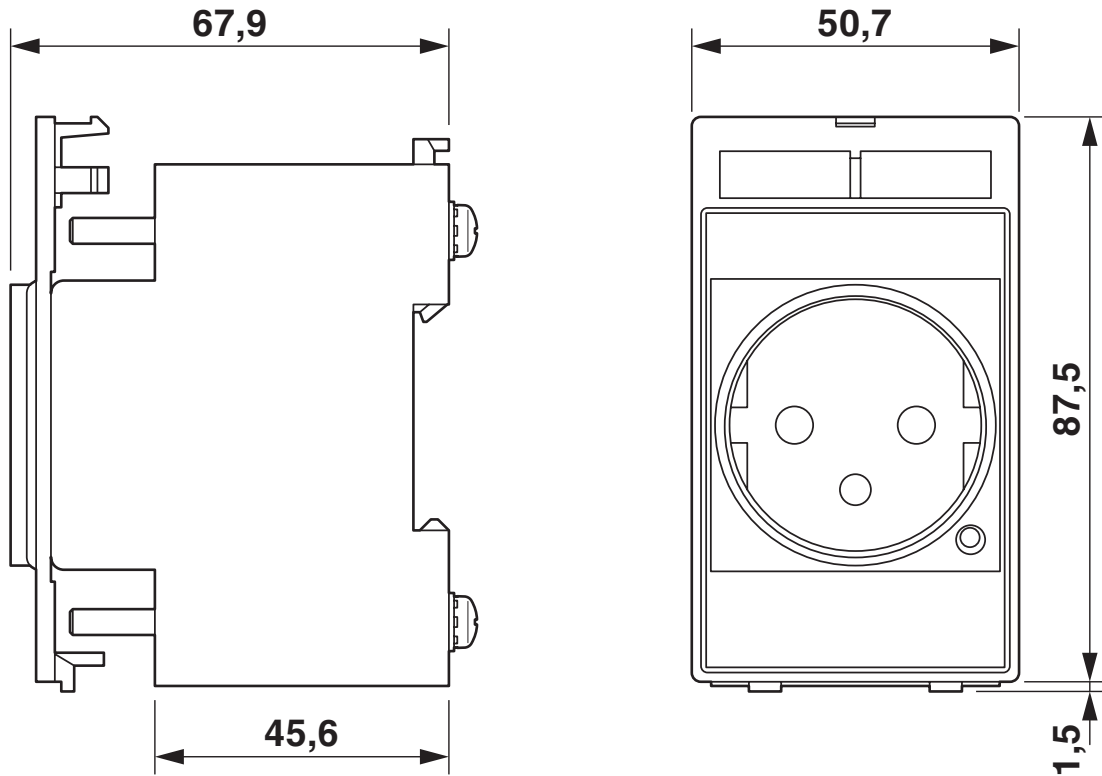
1656534

<https://www.phoenixcontact.com/us/products/1656534>



Drawings

Dimensional drawing



Socket insert

VS-SI-SD-FR - Socket insert



1656534

<https://www.phoenixcontact.com/us/products/1656534>

Approvals

To download certificates, visit the product detail page: <https://www.phoenixcontact.com/us/products/1656534>



EAC

Approval ID: RU C-DE.A*30.B.01102

VS-SI-SD-FR - Socket insert



1656534

<https://www.phoenixcontact.com/us/products/1656534>

Classifications

ECLASS

ECLASS-15.0	27144021
ECLASS-13.0	27144021

ETIM

ETIM 10.0	EC000450
-----------	----------

UNSPSC

UNSPSC 21.0	39121400
-------------	----------

VS-SI-SD-FR - Socket insert



1656534

<https://www.phoenixcontact.com/us/products/1656534>

Environmental product compliance

EU RoHS

Fulfills EU RoHS substance requirements	Yes
Exemption	6(c)

China RoHS

Environment friendly use period (EFUP)	EFUP-50
	An article-related China RoHS declaration table can be found in the download area for the respective article under "Manufacturer declaration". For all articles with EFUP-E, no China RoHS declaration table issued and required.

EU REACH SVHC

REACH candidate substance (CAS No.)	Lead(CAS: 7439-92-1)
SCIP	f011b060-3b8a-4d90-ad15-b28cda40d4ca

EF3.1 Climate Change

CO2e kg	3.96 kg CO2e
---------	--------------

Phoenix Contact 2026 © - all rights reserved
<https://www.phoenixcontact.com>

Phoenix Contact USA
586 Fulling Mill Road
Middletown, PA 17057, United States
(+717) 944-1300
info@phoenixcon.com