

VS-SI-SD-DE-G - Socket insert

1656518

<https://www.phoenixcontact.com/us/products/1656518>

Please be informed that the data shown in this PDF document is generated from our online catalog. Please find the complete data in the user documentation. Our general terms of use for downloads are valid.

Socket insert, connection method: Screw connection, Germany



Commercial data

| | |
|--------------------------------------|---------------|
| Item number | 1656518 |
| Packing unit | 1 pc |
| Minimum order quantity | 1 pc |
| Sales key | BF19 |
| Product key | AF7EBX |
| GTIN | 4046356029889 |
| Weight per piece (including packing) | 150.4 g |
| Weight per piece (excluding packing) | 143.7 g |
| Customs tariff number | 85366990 |
| Country of origin | BE |

VS-SI-SD-DE-G - Socket insert



1656518

<https://www.phoenixcontact.com/us/products/1656518>

Technical data

Notes

| | |
|---------|--------------------|
| General | with yellow socket |
|---------|--------------------|

Product properties

| | |
|--------------|---------|
| Product type | Socket |
| Country ID | Germany |

Electrical properties

| | |
|-----------------------|-------|
| Rated voltage (III/3) | 250 V |
| Rated current | 16 A |

Connection data

| | |
|-------------------|------------------|
| Connection method | Screw connection |
|-------------------|------------------|

Material specifications

| | |
|--|----|
| Material Housing | PA |
| Flammability rating according to UL 94 | V0 |

Environmental and real-life conditions

Ambient conditions

| | |
|---------------------------------|------------------|
| Degree of protection | IP20 |
| Ambient temperature (operation) | -10 °C ... 60 °C |

Mounting

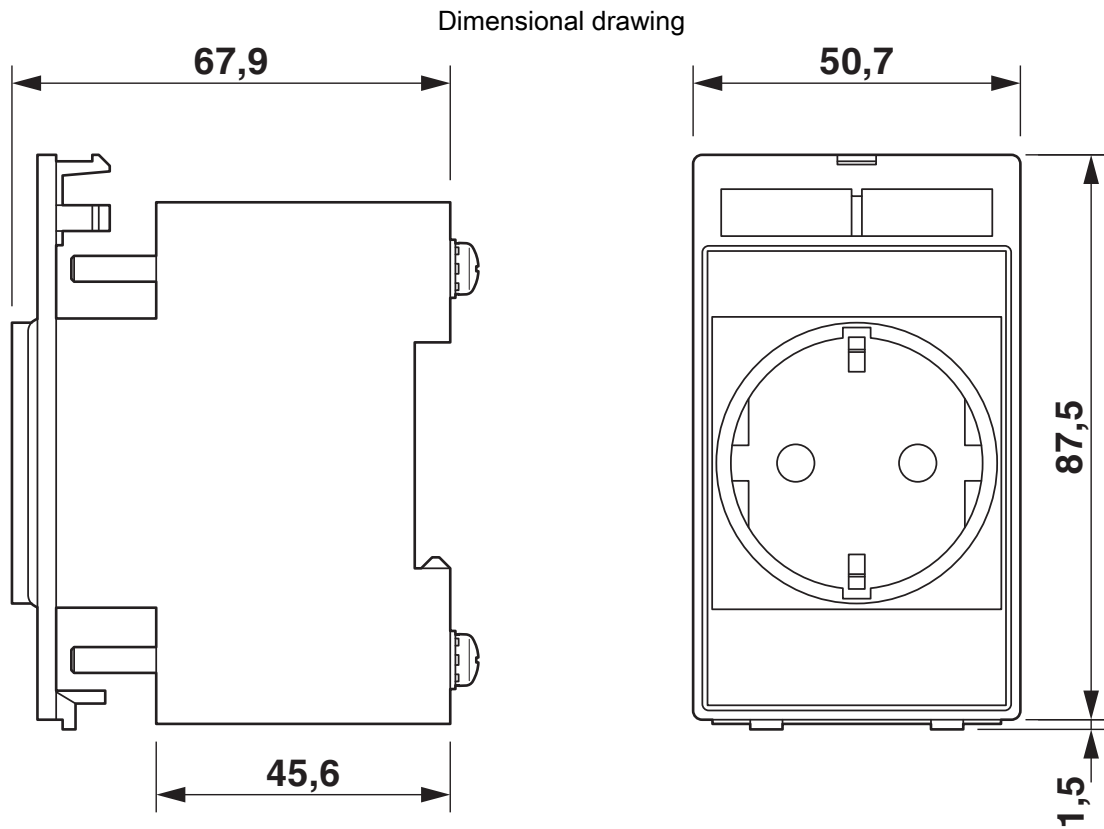
| | |
|---------------|----------------------------------|
| Assembly note | suitable for all mounting frames |
|---------------|----------------------------------|

VS-SI-SD-DE-G - Socket insert

1656518

<https://www.phoenixcontact.com/us/products/1656518>

Drawings



Socket insert

VS-SI-SD-DE-G - Socket insert



1656518

<https://www.phoenixcontact.com/us/products/1656518>

Approvals

To download certificates, visit the product detail page: <https://www.phoenixcontact.com/us/products/1656518>



EAC

Approval ID: RU C-DE.A*30.B.01102

VS-SI-SD-DE-G - Socket insert



1656518

<https://www.phoenixcontact.com/us/products/1656518>

Classifications

ECLASS

| | |
|-------------|----------|
| ECLASS-15.0 | 27144021 |
| ECLASS-13.0 | 27144021 |

ETIM

| | |
|-----------|----------|
| ETIM 10.0 | EC000450 |
|-----------|----------|

UNSPSC

| | |
|-------------|----------|
| UNSPSC 21.0 | 39121400 |
|-------------|----------|

VS-SI-SD-DE-G - Socket insert



1656518

<https://www.phoenixcontact.com/us/products/1656518>

Environmental product compliance

EU RoHS

| | |
|---|------|
| Fulfills EU RoHS substance requirements | Yes |
| Exemption | 6(c) |

China RoHS

| | |
|--|---|
| Environment friendly use period (EFUP) | EFUP-50 |
| | An article-related China RoHS declaration table can be found in the download area for the respective article under "Manufacturer declaration". For all articles with EFUP-E, no China RoHS declaration table issued and required. |

EU REACH SVHC

| | |
|-------------------------------------|--------------------------------------|
| REACH candidate substance (CAS No.) | Lead(CAS: 7439-92-1) |
| SCIP | 53384425-01a8-4752-81a7-9aaa464817ff |

Phoenix Contact 2026 © - all rights reserved

<https://www.phoenixcontact.com>

Phoenix Contact USA
586 Fulling Mill Road
Middletown, PA 17057, United States
(+717) 944-1300
info@phoenixcon.com