

VS-SI-SD-DE - Socket insert

1656505

<https://www.phoenixcontact.com/us/products/1656505>

Please be informed that the data shown in this PDF document is generated from our online catalog. Please find the complete data in the user documentation. Our general terms of use for downloads are valid.

Ground contact socket, plastic, for Germany



Commercial data

Item number	1656505
Packing unit	1 pc
Minimum order quantity	1 pc
Sales key	BF70
Product key	AF7EBX
GTIN	4046356029872
Weight per piece (including packing)	154.4 g
Weight per piece (excluding packing)	144.8 g
Customs tariff number	85366990
Country of origin	BE

VS-SI-SD-DE - Socket insert

1656505

<https://www.phoenixcontact.com/us/products/1656505>

Technical data

Notes

General	with yellow LED display
---------	-------------------------

Product properties

Product type	Socket
Country ID	Germany

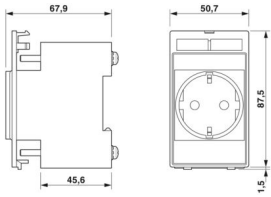
Electrical properties

Rated voltage (III/3)	250 V
Rated current	16 A

Connection data

Connection method	Screw connection
-------------------	------------------

Dimensions

Dimensional drawing	
Width	50.7 mm
Height	87.5 mm
Depth	67.9 mm

Material specifications

Material Housing	PA
Flammability rating according to UL 94	V0

Environmental and real-life conditions

Ambient conditions

Degree of protection	IP20
Ambient temperature (operation)	-10 °C ... 60 °C

Mounting

Assembly note	suitable for all mounting frames
---------------	----------------------------------

VS-SI-SD-DE - Socket insert

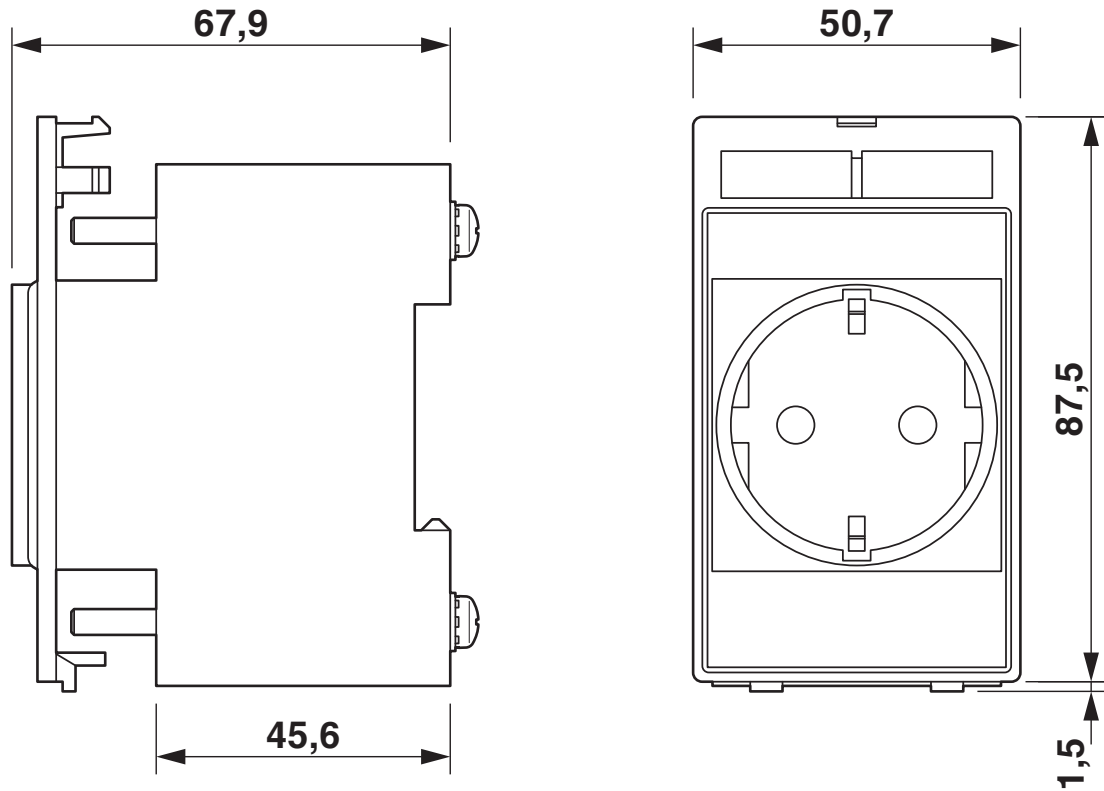
1656505

<https://www.phoenixcontact.com/us/products/1656505>



Drawings

Dimensional drawing



Socket insert

VS-SI-SD-DE - Socket insert



1656505

<https://www.phoenixcontact.com/us/products/1656505>

Classifications

ECLASS

ECLASS-15.0	27144021
ECLASS-13.0	27144021

ETIM

ETIM 10.0	EC000450
-----------	----------

UNSPSC

UNSPSC 21.0	39121400
-------------	----------

VS-SI-SD-DE - Socket insert



1656505

<https://www.phoenixcontact.com/us/products/1656505>

Environmental product compliance

EU RoHS

Fulfills EU RoHS substance requirements	Yes, No exemptions
---	--------------------

China RoHS

Environment friendly use period (EFUP)	EFUP-E
	No hazardous substances above the limits

EU REACH SVHC

REACH candidate substance (CAS No.)	No substance above 0.1 wt%
-------------------------------------	----------------------------

Phoenix Contact 2026 © - all rights reserved
<https://www.phoenixcontact.com>

Phoenix Contact USA
586 Fulling Mill Road
Middletown, PA 17057, United States
(+717) 944-1300
info@phoenixcon.com