

VS-SI-EB-EMV-2 - Mounting frame



1656495

<https://www.phoenixcontact.com/us/products/1656495>

Please be informed that the data shown in this PDF document is generated from our online catalog. Please find the complete data in the user documentation. Our general terms of use for downloads are valid.

Mounting frame, for two front plates or sockets, metal frame, matt nickel-plated, electrically conductive, transparent cover



Commercial data

Item number	1656495
Packing unit	1 pc
Minimum order quantity	1 pc
Sales key	BF70
Product key	AF7EAX
GTIN	4046356029865
Weight per piece (including packing)	394 g
Weight per piece (excluding packing)	369 g
Customs tariff number	85389099
Country of origin	DE

VS-SI-EB-EMV-2 - Mounting frame

1656495

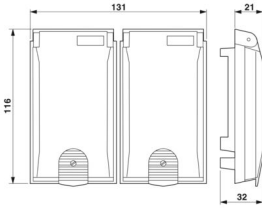
<https://www.phoenixcontact.com/us/products/1656495>

Technical data

Product properties

Product type	Mounting frame
--------------	----------------

Dimensions

Dimensional drawing	
Width	130 mm
Height	35 mm
Length	120 mm

Installation dimensions

Width of the assembly cutout	117 mm
Length of the assembly cutout	91 mm

Material specifications

Material Housing	Zinc alloy (nickel-plated)
Flammability rating according to UL 94	V0

Environmental and real-life conditions

Ambient conditions

Degree of protection	IP65
Ambient temperature (operation)	-10 °C ... 60 °C
Ambient temperature (storage/transport)	-25 °C ... 70 °C

Mounting

Assembly note	Suitable for panel thicknesses 1 mm ... 5 mm
---------------	--

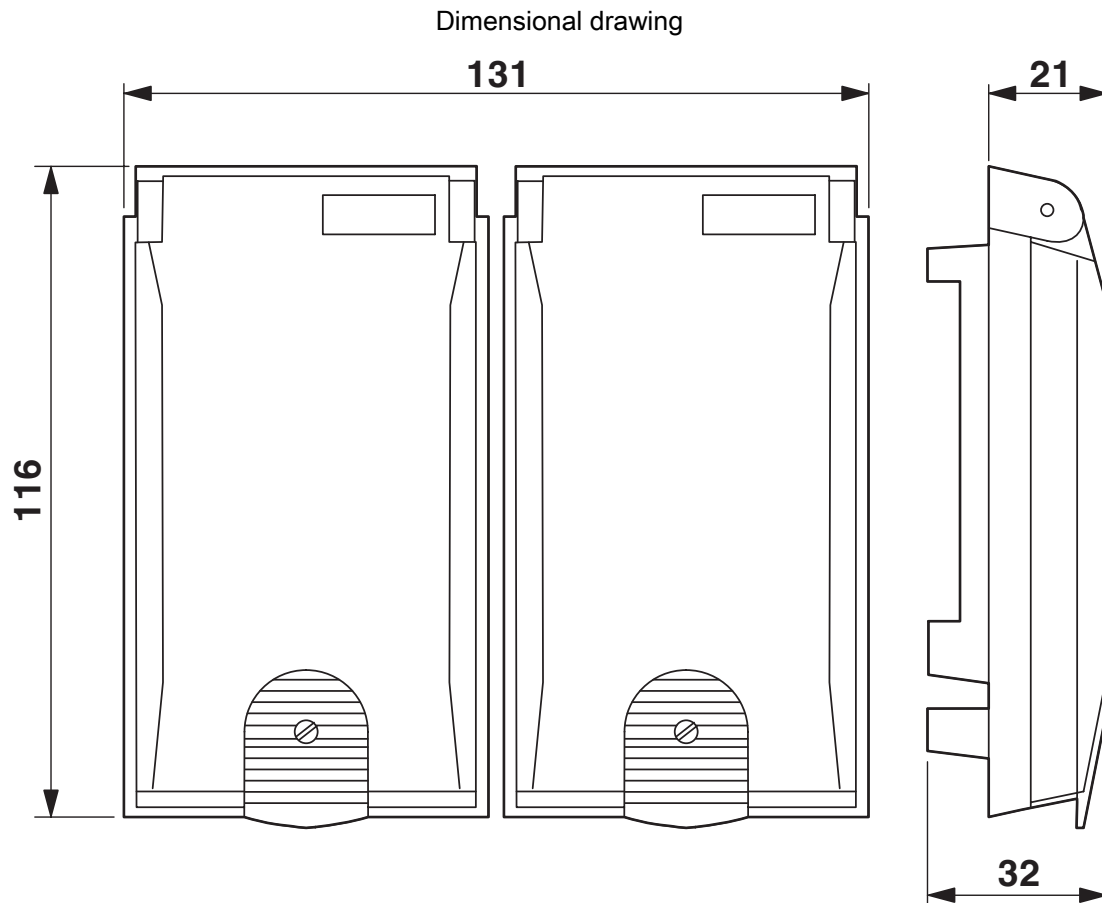
VS-SI-EB-EMV-2 - Mounting frame

1656495

<https://www.phoenixcontact.com/us/products/1656495>



Drawings



Dimensional drawing

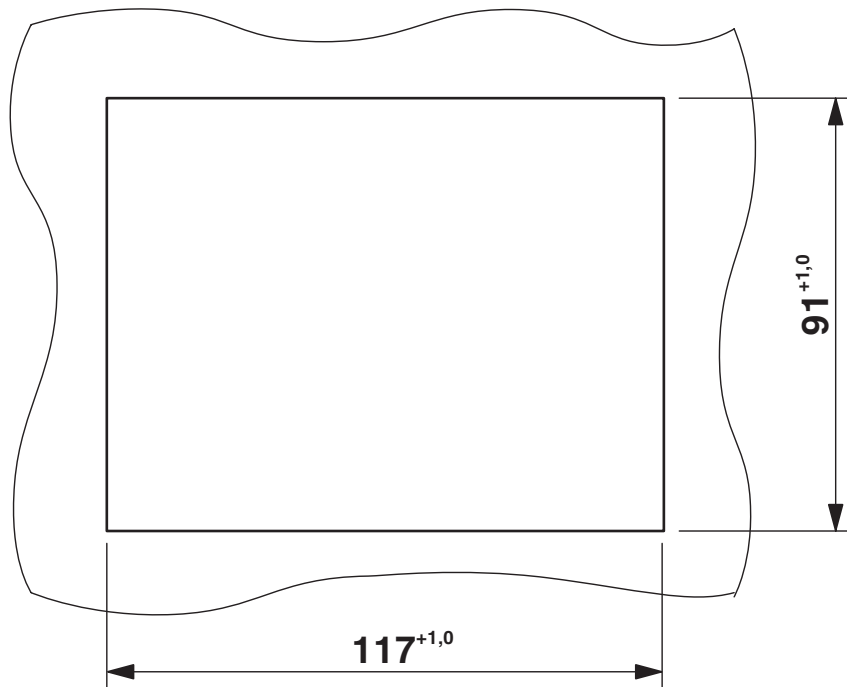
VS-SI-EB-EMV-2 - Mounting frame



1656495

<https://www.phoenixcontact.com/us/products/1656495>

Dimensional drawing



Mounting cutout

VS-SI-EB-EMV-2 - Mounting frame



1656495

<https://www.phoenixcontact.com/us/products/1656495>

Classifications

ECLASS

ECLASS-13.0	27182806
ECLASS-15.0	27182806

ETIM

ETIM 10.0	EC000456
-----------	----------

UNSPSC

UNSPSC 21.0	31261500
-------------	----------

VS-SI-EB-EMV-2 - Mounting frame



1656495

<https://www.phoenixcontact.com/us/products/1656495>

Environmental product compliance

EU RoHS

Fulfills EU RoHS substance requirements	Yes
Exemption	6(c)

China RoHS

Environment friendly use period (EFUP)	EFUP-50
	An article-related China RoHS declaration table can be found in the download area for the respective article under "Manufacturer declaration". For all articles with EFUP-E, no China RoHS declaration table issued and required.

EU REACH SVHC

REACH candidate substance (CAS No.)	Lead(CAS: 7439-92-1)
SCIP	ee6baf9c-a9e0-4e0c-9d0c-c9bc4813b280

Phoenix Contact 2026 © - all rights reserved

<https://www.phoenixcontact.com>

Phoenix Contact USA
586 Fulling Mill Road
Middletown, PA 17057, United States
(+717) 944-1300
info@phoenixcon.com