

# VS-25-T-20-1-S-S - D-SUB sleeve housings



1655690

<https://www.phoenixcontact.com/us/products/1655690>

Please be informed that the data shown in this PDF document is generated from our online catalog. Please find the complete data in the user documentation. Our general terms of use for downloads are valid.

D-SUB sleeve housings, design: D-SUB 25, degree of protection: IP20, material: ABS, cable outlet: straight, housing size: 3, color: Bare metallic



## Commercial data

Item number	1655690
Packing unit	1 pc
Note	Made to order (non-returnable)
Sales key	NULL
Product key	ABNCAE
GTIN	4046356029582
Weight per piece (including packing)	22.7 g
Weight per piece (excluding packing)	20.9 g
Customs tariff number	85389099
Country of origin	HU

# VS-25-T-20-1-S-S - D-SUB sleeve housings

1655690

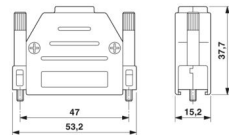
<https://www.phoenixcontact.com/us/products/1655690>

## Technical data

### Product properties

Product type	Sleeve housings
Type	D-SUB 25
No. of cable outlets	1
Cable outlet	straight

### Dimensions

Dimensional drawing	
Width	53.2 mm
Height	15.2 mm
Length	37.7 mm

### Material specifications

Color	Bare metallic
Flammability rating according to UL 94	V0
Housing material	ABS
Housing surface material	metal-plated

### Cable/line

External cable diameter	4 mm ... 8.5 mm
-------------------------	-----------------

### Environmental and real-life conditions

#### Ambient conditions

Degree of protection	IP20
Ambient temperature (operation)	-40 °C ... 90 °C

# VS-25-T-20-1-S-S - D-SUB sleeve housings

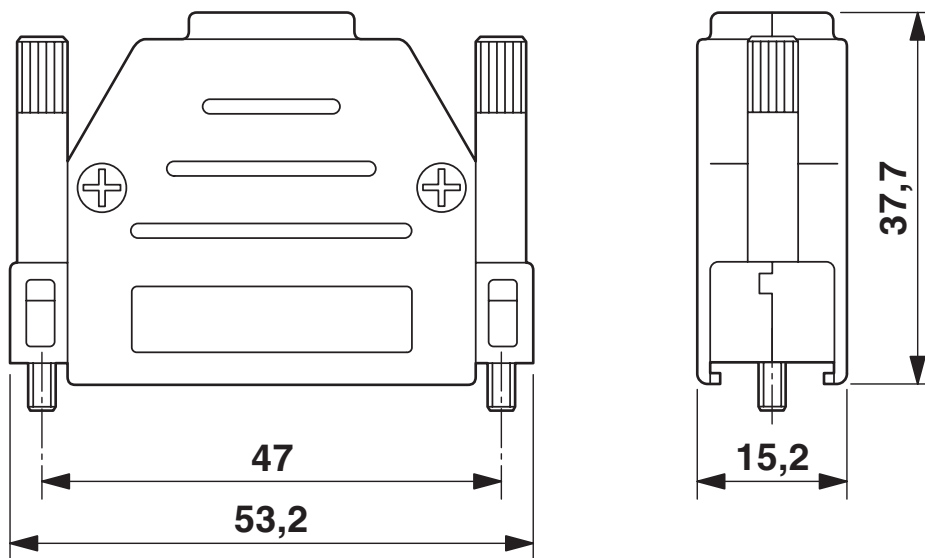
1655690

<https://www.phoenixcontact.com/us/products/1655690>



## Drawings

Dimensional drawing



# VS-25-T-20-1-S-S - D-SUB sleeve housings



1655690

<https://www.phoenixcontact.com/us/products/1655690>

## Environmental product compliance

### EU RoHS

Fulfills EU RoHS substance requirements	Yes, No exemptions
---	--------------------

### China RoHS

Environment friendly use period (EFUP)	EFUP-E
	No hazardous substances above the limits

### EU REACH SVHC

REACH candidate substance (CAS No.)	No substance above 0.1 wt%
-------------------------------------	----------------------------

Phoenix Contact 2026 © - all rights reserved

<https://www.phoenixcontact.com>

Phoenix Contact USA  
586 Fulling Mill Road  
Middletown, PA 17057, United States  
(+717) 944-1300  
[info@phoenixcon.com](mailto:info@phoenixcon.com)