

VS-15-T-20-1-S-A - D-SUB sleeve housings

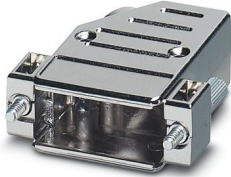


1655687

<https://www.phoenixcontact.com/us/products/1655687>

Please be informed that the data shown in this PDF document is generated from our online catalog. Please find the complete data in the user documentation. Our general terms of use for downloads are valid.

D-SUB sleeve housings, design: D-SUB 15, degree of protection: IP20, material: ABS, cable outlet: slanted, housing size: 2, color: Bare metallic



Commercial data

Item number	1655687
Packing unit	1 pc
Note	Made to order (non-returnable)
Sales key	NULL
Product key	ABNCAE
GTIN	4046356029575
Weight per piece (including packing)	15.1 g
Weight per piece (excluding packing)	13.6 g
Customs tariff number	85389099
Country of origin	HU

VS-15-T-20-1-S-A - D-SUB sleeve housings

1655687

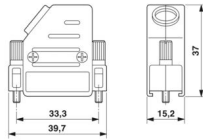
<https://www.phoenixcontact.com/us/products/1655687>

Technical data

Product properties

Product type	Sleeve housings
Type	D-SUB 15
No. of cable outlets	1
Cable outlet	slanted

Dimensions

Dimensional drawing	
Width	39.7 mm
Height	15.2 mm
Length	37 mm

Material specifications

Color	Bare metallic
Flammability rating according to UL 94	V0
Housing material	ABS
Housing surface material	metal-plated

Cable/line

External cable diameter	4 mm ... 8.5 mm
-------------------------	-----------------

Environmental and real-life conditions

Ambient conditions

Degree of protection	IP20
Ambient temperature (operation)	-40 °C ... 90 °C

VS-15-T-20-1-S-A - D-SUB sleeve housings

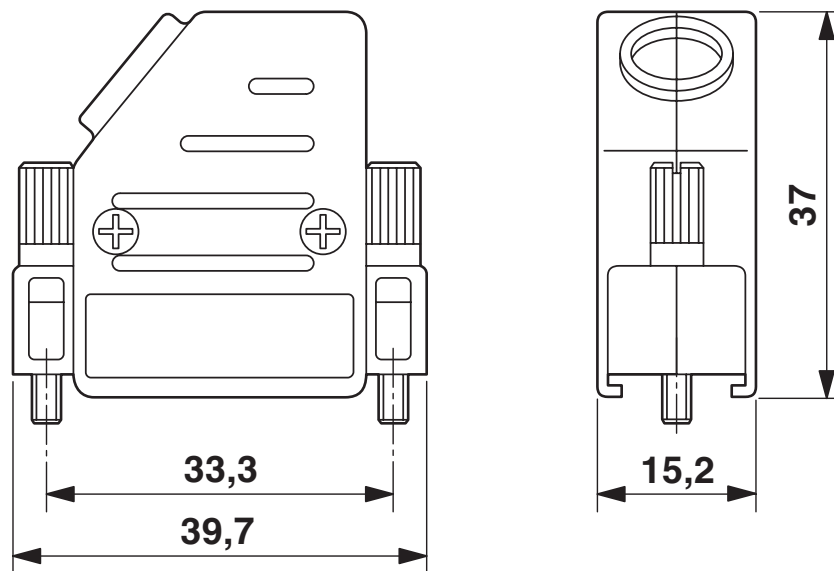
1655687

<https://www.phoenixcontact.com/us/products/1655687>



Drawings

Dimensional drawing



VS-15-T-20-1-S-A - D-SUB sleeve housings



1655687

<https://www.phoenixcontact.com/us/products/1655687>

Environmental product compliance

EU RoHS

Fulfills EU RoHS substance requirements	Yes, No exemptions
---	--------------------

China RoHS

Environment friendly use period (EFUP)	EFUP-E
	No hazardous substances above the limits

EU REACH SVHC

REACH candidate substance (CAS No.)	No substance above 0.1 wt%
-------------------------------------	----------------------------

Phoenix Contact 2026 © - all rights reserved
<https://www.phoenixcontact.com>

Phoenix Contact USA
586 Fulling Mill Road
Middletown, PA 17057, United States
(+717) 944-1300
info@phoenixcon.com