

VS-ST-KX-75-RG179/187 - D-SUB coaxial contact



1655629

<https://www.phoenixcontact.com/us/products/1655629>

Please be informed that the data shown in this PDF document is generated from our online catalog. Please find the complete data in the user documentation. Our general terms of use for downloads are valid.



Coaxial contact, for D-SUB combination inserts, solder cup, pin, straight, for cable RG 179/187, gold-plated

Commercial data

Item number	1655629
Packing unit	10 pc
Minimum order quantity	1 pc
Sales key	BF62
Product key	AF7ACZ
GTIN	4046356029513
Weight per piece (including packing)	1.952 g
Weight per piece (excluding packing)	1.952 g
Customs tariff number	85366910
Country of origin	CZ

VS-ST-KX-75-RG179/187 - D-SUB coaxial contact



1655629

<https://www.phoenixcontact.com/us/products/1655629>

Technical data

Product properties

Product type	Solder contact
Series	HC-M-04-KOAX
Contact material type	turned

Electrical properties

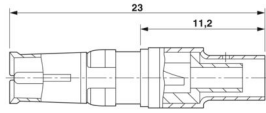
Rated current	2 A
Resistance (Wave impedance)	75 Ω

Connection data

Connection technology

Contact connection type	Coaxial
Connection method	Solder cup

Dimensions

Dimensional drawing	
Width [w]	6 mm
Height [h]	6 mm
Length [l]	23 mm
External cable diameter	3.2 mm

Material specifications

Material Contact	Cu alloy
Material Contact surface	hard gold-plated over nickel

Mechanical properties

Mechanical data

Insertion/withdrawal cycles	≥ 500
Insertion force	≤ 7 N
Withdrawal force	≤ 7 N

Characteristics

Measuring system

Resistance: Wave impedance	75 Ω
----------------------------	-------------

Environmental and real-life conditions

Ambient conditions

VS-ST-KX-75-RG179/187 - D-SUB coaxial contact



1655629

<https://www.phoenixcontact.com/us/products/1655629>

Ambient temperature (operation)

-55 °C ... 135 °C

VS-ST-KX-75-RG179/187 - D-SUB coaxial contact

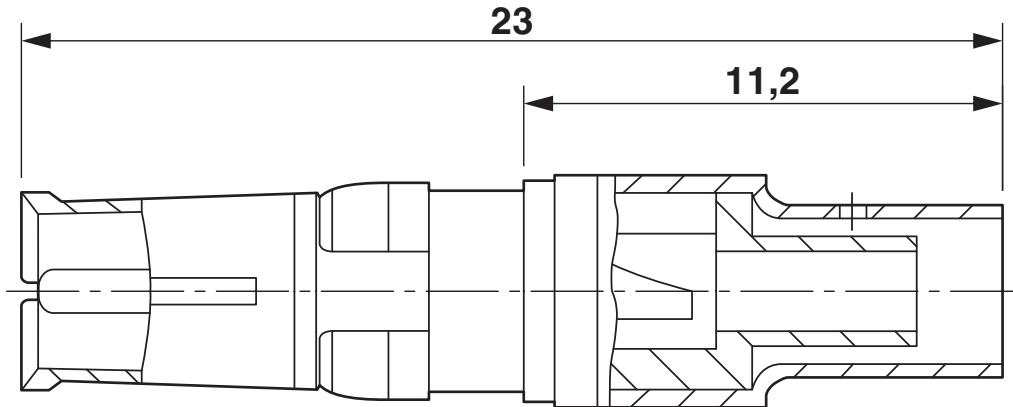


1655629

<https://www.phoenixcontact.com/us/products/1655629>

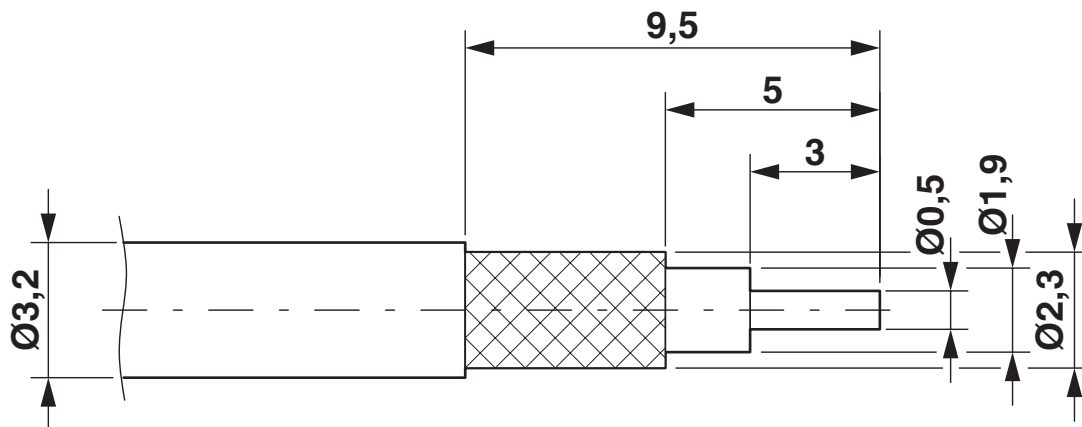
Drawings

Dimensional drawing



D-SUB coaxial contact pin

Dimensional drawing



Cable connection

VS-ST-KX-75-RG179/187 - D-SUB coaxial contact



1655629

<https://www.phoenixcontact.com/us/products/1655629>

Classifications

ECLASS

ECLASS-13.0	27440204
ECLASS-15.0	27440204

ETIM

ETIM 10.0	EC000796
-----------	----------

UNSPSC

UNSPSC 21.0	39121500
-------------	----------

1655629

<https://www.phoenixcontact.com/us/products/1655629>

Environmental product compliance

EU RoHS

Fulfills EU RoHS substance requirements	Yes
Exemption	6(c)

China RoHS

Environment friendly use period (EFUP)	EFUP-50
	An article-related China RoHS declaration table can be found in the download area for the respective article under "Manufacturer declaration". For all articles with EFUP-E, no China RoHS declaration table issued and required.

EU REACH SVHC

REACH candidate substance (CAS No.)	Lead(CAS: 7439-92-1)
SCIP	73f282d1-5beb-4065-8f13-9b93472ae707

EF3.1 Climate Change

CO2e kg	0.63 kg CO2e
---------	--------------

Phoenix Contact 2026 © - all rights reserved
<https://www.phoenixcontact.com>

Phoenix Contact USA
586 Fulling Mill Road
Middletown, PA 17057, United States
(+717) 944-1300
info@phoenixcon.com