

VS-15-ST-DSUB-3P-LH - D-SUB contact support



1655331

<https://www.phoenixcontact.com/us/products/1655331>

Please be informed that the data shown in this PDF document is generated from our online catalog. Please find the complete data in the user documentation. Our general terms of use for downloads are valid.

D-SUB contact carrier, shell size 2, accommodation for 3 combined contacts, type of contact pin, fixing with 4-40 UNC thread and solder pins, for panel mounting frame VS-15-...



Your advantages

- Compatible with IP67 sleeve housing and panel-mount frame
- Easy assembly

Commercial data

Item number	1655331
Packing unit	50 pc
Minimum order quantity	1 pc
Sales key	AB19
Product key	ABNCAA
GTIN	4046356029278
Weight per piece (including packing)	11.452 g
Weight per piece (excluding packing)	10.99 g
Customs tariff number	85366990
Country of origin	DE

VS-15-ST-DSUB-3P-LH - D-SUB contact support



1655331

<https://www.phoenixcontact.com/us/products/1655331>

Technical data

Notes

Order information:	The contacts must be ordered separately since they are not included in the scope of supply of the combi contact inserts.
--------------------	--

Product properties

Product type	Contact insert
Application	Combination contact insert
Type	D-SUB
Number of positions	3
Connection profile	D-SUB
Shielded	no

Electrical properties

Transmission medium	Copper
---------------------	--------

Connection data

Connection method	D-SUB
-------------------	-------

Material specifications

Flammability rating according to UL 94	V0
Housing material	Steel, yellow chromated
Contact material	Copper alloy
Contact surface material	Gold over nickel
Contact carrier material	PBTP

Mechanical properties

Mechanical data

Insertion/withdrawal cycles	≥ 500
-----------------------------	-------

Environmental and real-life conditions

Ambient conditions

Degree of protection	IP20
Ambient temperature (operation)	-55 °C ... 125 °C

Mounting

Mounting type	Threads and solder pins
---------------	-------------------------

VS-15-ST-DSUB-3P-LH - D-SUB contact support

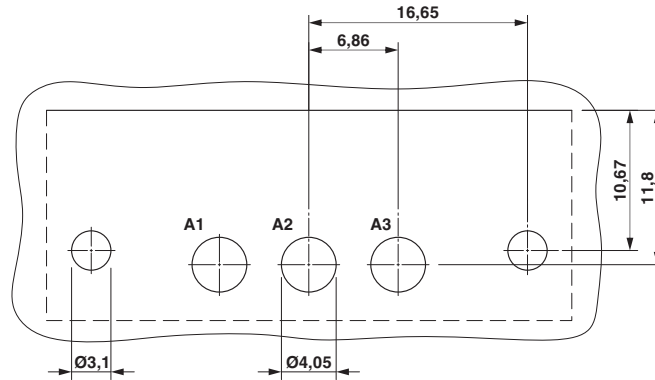


1655331

<https://www.phoenixcontact.com/us/products/1655331>

Drawings

Drilling plan/solder pad geometry



Drilling diagram

VS-15-ST-DSUB-3P-LH - D-SUB contact support



1655331

<https://www.phoenixcontact.com/us/products/1655331>

Approvals

To download certificates, visit the product detail page: <https://www.phoenixcontact.com/us/products/1655331>



UL Recognized

Approval ID: E118976

VS-15-ST-DSUB-3P-LH - D-SUB contact support



1655331

<https://www.phoenixcontact.com/us/products/1655331>

Classifications

ECLASS

ECLASS-13.0	27440302
ECLASS-15.0	27440323

ETIM

ETIM 10.0	EC001132
-----------	----------

UNSPSC

UNSPSC 21.0	39121400
-------------	----------

1655331

<https://www.phoenixcontact.com/us/products/1655331>

Environmental product compliance

EU RoHS

Fulfills EU RoHS substance requirements	Yes
Exemption	6(a), 6(a)-I

China RoHS

Environment friendly use period (EFUP)	EFUP-50
	An article-related China RoHS declaration table can be found in the download area for the respective article under "Manufacturer declaration". For all articles with EFUP-E, no China RoHS declaration table issued and required.

EU REACH SVHC

REACH candidate substance (CAS No.)	Lead(CAS: 7439-92-1)
SCIP	ebc2c67d-ac4b-4864-aedb-23412b446b1d

EF3.1 Climate Change

CO2e kg	0.39 kg CO2e
---------	--------------

Phoenix Contact 2026 © - all rights reserved
<https://www.phoenixcontact.com>

Phoenix Contact USA
586 Fulling Mill Road
Middletown, PA 17057, United States
(+717) 944-1300
info@phoenixcon.com