

# VS-09-BU-DSUB-2P-LH - D-SUB contact support



1655289

<https://www.phoenixcontact.com/us/products/1655289>

Please be informed that the data shown in this PDF document is generated from our online catalog. Please find the complete data in the user documentation. Our general terms of use for downloads are valid.

D-SUB contact carrier, shell size 1, accommodation for two combined contacts, type of contact socket, fixing with 4-40 UNC thread and solder pins, for panel mounting frame VS-09-...



## Your advantages

- Compatible with IP67 sleeve housing and panel-mount frame
- Easy assembly

## Commercial data

Item number	1655289
Packing unit	50 pc
Minimum order quantity	1 pc
Sales key	AB19
Product key	ABNCAB
GTIN	4046356029223
Weight per piece (including packing)	10.09 g
Weight per piece (excluding packing)	10.09 g
Customs tariff number	85366990
Country of origin	DE

## Technical data

### Notes

Order information:	The contacts must be ordered separately since they are not included in the scope of supply of the contact carriers. Both one male and one female contact must be mounted in the contact carrier.
--------------------	--

### Product properties

Product type	Contact insert
Application	Combination contact insert
Type	D-SUB
Number of positions	2
Connection profile	D-SUB
Number of slots	1
Shielded	yes

### Electrical properties

Transmission medium	Copper
---------------------	--------

### Connection data

Connection method	Wave soldering contacts
-------------------	-------------------------

### Dimensions

Width	21.6 mm
Height	17.1 mm
Length	31.19 mm

### Material specifications

Flammability rating according to UL 94	V0
Housing material	Metal
Housing surface material	metal-plated
Contact surface material	Gold
Contact carrier material	PBTP

### Mechanical properties

#### Mechanical data

Insertion/withdrawal cycles	≥ 500
-----------------------------	-------

### Environmental and real-life conditions

#### Ambient conditions

Degree of protection	IP20
Ambient temperature (operation)	-55 °C ... 125 °C

# VS-09-BU-DSUB-2P-LH - D-SUB contact support



1655289

<https://www.phoenixcontact.com/us/products/1655289>

## Mounting

Mounting type

Screw mounting

# VS-09-BU-DSUB-2P-LH - D-SUB contact support

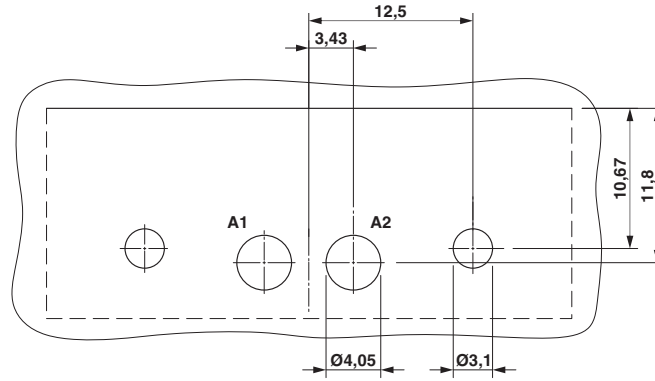


1655289

<https://www.phoenixcontact.com/us/products/1655289>

## Drawings

Drilling plan/solder pad geometry



Drilling diagram

# VS-09-BU-DSUB-2P-LH - D-SUB contact support



1655289

<https://www.phoenixcontact.com/us/products/1655289>

## Approvals

To download certificates, visit the product detail page: <https://www.phoenixcontact.com/us/products/1655289>



**UL Recognized**

Approval ID: E118976

1655289

<https://www.phoenixcontact.com/us/products/1655289>

## Classifications

### ECLASS

ECLASS-13.0	27440302
ECLASS-15.0	27440323

### ETIM

ETIM 10.0	EC001132
-----------	----------

### UNSPSC

UNSPSC 21.0	39121400
-------------	----------

1655289

<https://www.phoenixcontact.com/us/products/1655289>

## Environmental product compliance

### EU RoHS

Fulfills EU RoHS substance requirements	Yes
Exemption	6(a), 6(a)-I, 6(c)

### China RoHS

Environment friendly use period (EFUP)	EFUP-50
	An article-related China RoHS declaration table can be found in the download area for the respective article under "Manufacturer declaration". For all articles with EFUP-E, no China RoHS declaration table issued and required.

### EU REACH SVHC

REACH candidate substance (CAS No.)	Lead(CAS: 7439-92-1)
SCIP	bb14764f-0d96-43c1-8a5a-8ad58cbc0632

### EF3.1 Climate Change

CO2e kg	0.417 kg CO2e
---------	---------------

Phoenix Contact 2026 © - all rights reserved  
<https://www.phoenixcontact.com>

Phoenix Contact USA  
586 Fulling Mill Road  
Middletown, PA 17057, United States  
(+717) 944-1300  
[info@phoenixcon.com](mailto:info@phoenixcon.com)