

VS-15-BU-DSUB-HD-CD-B - D-SUB contact support



1655182

<https://www.phoenixcontact.com/us/products/1655182>

Please be informed that the data shown in this PDF document is generated from our online catalog. Please find the complete data in the user documentation. Our general terms of use for downloads are valid.

D-SUB contact carrier, shell size 2, for 26 signal contacts, type of contact socket, for crimp contacts, straight, fixing with a 3 mm hole, for panel mounting frame and sleeve housing VS-15-..



Your advantages

- Compatible with IP67 sleeve housing and panel-mount frame
- Easy assembly

Commercial data

Item number	1655182
Packing unit	10 pc
Minimum order quantity	10 pc
Sales key	AB19
Product key	ABNCAB
GTIN	4046356029124
Weight per piece (including packing)	11.86 g
Weight per piece (excluding packing)	5.78 g
Customs tariff number	85366990
Country of origin	DE

VS-15-BU-DSUB-HD-CD-B - D-SUB contact support



1655182

<https://www.phoenixcontact.com/us/products/1655182>

Technical data

Product properties

Product type	Female insert
Application	high-position
Type	D-SUB
Number of positions	26
Connection profile	D-SUB
Number of slots	1
Shielded	yes

Insulation characteristics

Overvoltage category	III
Degree of pollution	2

Electrical properties

Rated voltage (III/3)	60 V
Rated surge voltage	1 kV
Rated current	3 A (at 20 °C)
Test voltage	1000 V
Transmission medium	Copper

Connection data

Connection technology

Connection method	Crimp connection
-------------------	------------------

Dimensions

Dimensional drawing	
Width	16 mm
Height	12.93 mm
Length	39.52 mm

Material specifications

Flammability rating according to UL 94	V0
Housing material	Metal
Housing surface material	metal-plated
Contact surface material	Gold
Contact carrier material	Glass-fiber reinforced thermoplastics, UL 94 V0

VS-15-BU-DSUB-HD-CD-B - D-SUB contact support



1655182

<https://www.phoenixcontact.com/us/products/1655182>

Mechanical properties

Mechanical data

Insertion/withdrawal cycles	≥ 500
-----------------------------	-------

Environmental and real-life conditions

Ambient conditions

Degree of protection	IP20
Ambient temperature (operation)	-55 °C ... 115 °C

Mounting

Mounting type	Screw mounting
---------------	----------------

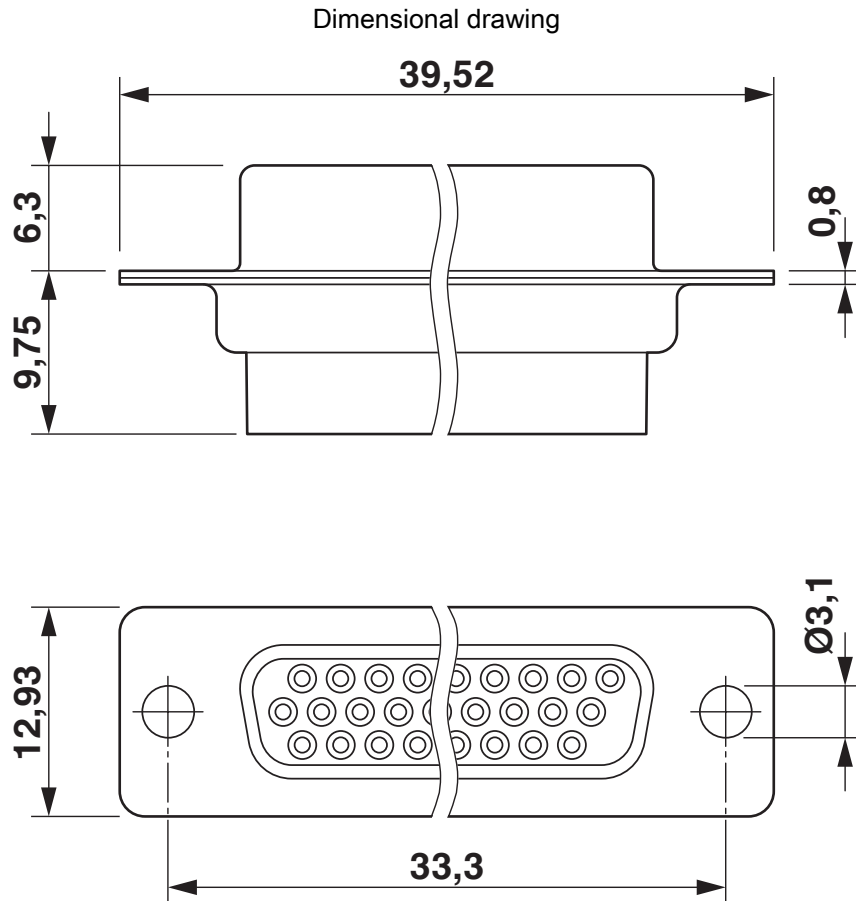
VS-15-BU-DSUB-HD-CD-B - D-SUB contact support



1655182

<https://www.phoenixcontact.com/us/products/1655182>

Drawings



D-SUB contact carrier

1655182

<https://www.phoenixcontact.com/us/products/1655182>

Classifications

ECLASS

ECLASS-13.0

27440214

ETIM

ETIM 9.0

EC001132

UNSPSC

UNSPSC 21.0

39121400

VS-15-BU-DSUB-HD-CD-B - D-SUB contact support



1655182

<https://www.phoenixcontact.com/us/products/1655182>

Environmental product compliance

EU RoHS

Fulfills EU RoHS substance requirements	Yes, No exemptions
---	--------------------

China RoHS

Environment friendly use period (EFUP)	EFUP-E
	No hazardous substances above the limits

EU REACH SVHC

REACH candidate substance (CAS No.)	No substance above 0.1 wt%
-------------------------------------	----------------------------

Phoenix Contact 2026 © - all rights reserved
<https://www.phoenixcontact.com>

Phoenix Contact USA
586 Fulling Mill Road
Middletown, PA 17057, United States
(+717) 944-1300
info@phoenixcon.com