

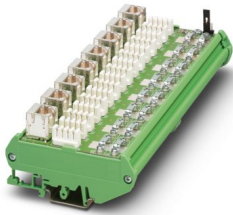
# VS-PP-R-8XRJ45/5-LSA - Patch panel



1654895

<https://www.phoenixcontact.com/us/products/1654895>

Please be informed that the data shown in this PDF document is generated from our online catalog. Please find the complete data in the user documentation. Our general terms of use for downloads are valid.



Patch panel, RJ45, DIN rail mounting, IP20, 8 slots, IDC connection, CAT5e, option of shielding via jumpers

## Commercial data

Item number	1654895
Packing unit	1 pc
Note	Made to order (non-returnable)
Sales key	NULL
Product key	ABNMAY
GTIN	4046356028868
Weight per piece (including packing)	310.7 g
Weight per piece (excluding packing)	310.7 g
Customs tariff number	85366990
Country of origin	DE

# VS-PP-R-8XRJ45/5-LSA - Patch panel



1654895

<https://www.phoenixcontact.com/us/products/1654895>

## Technical data

### Product properties

Product type	Patch panel
Application	Ethernet
Number of positions	8
No. of cable outlets	8
Number of slots	8

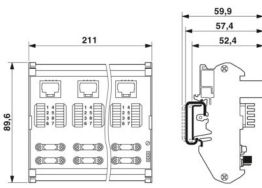
### Electrical properties

Rated voltage (III/3)	60 V
Rated current	1 A
Transmission characteristics (category)	CAT5 (IEC 11801:2002)

### Connection data

Connection method	LSA-PLUS
-------------------	----------

### Dimensions

Dimensional drawing	
Width	211 mm
Height	52 mm
Length	89.6 mm

### Material specifications

Color	green
Flammability rating according to UL 94	V0
Housing material	PC
Contact material	Copper alloy
Contact surface material	Gold over nickel
Contact carrier material	PBT

### Cable/line

External cable diameter	5 mm ... 8.5 mm
-------------------------	-----------------

### Mechanical properties

#### Mechanical data

Insertion/withdrawal cycles	≥ 200
-----------------------------	-------

# VS-PP-R-8XRJ45/5-LSA - Patch panel



1654895

<https://www.phoenixcontact.com/us/products/1654895>

## Environmental and real-life conditions

### Ambient conditions

Degree of protection	IP20
Ambient temperature (operation)	0 °C ... 70 °C

## Mounting

Mounting type	DIN rail mounting
---------------	-------------------

# VS-PP-R-8XRJ45/5-LSA - Patch panel

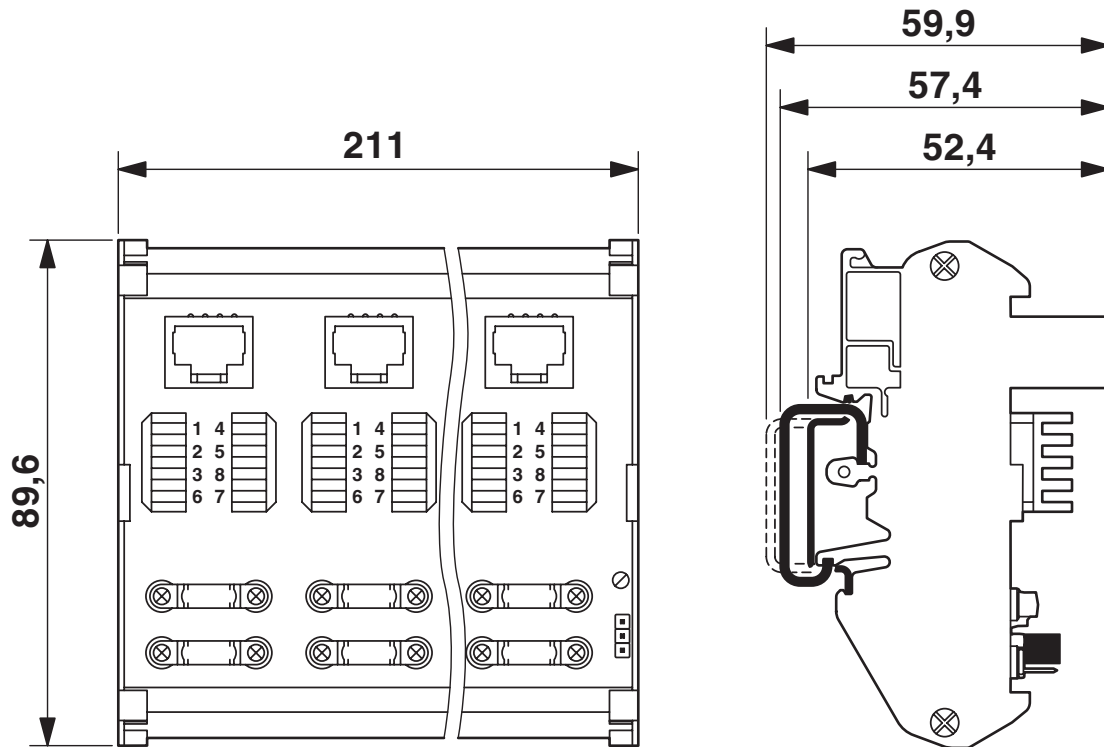


1654895

<https://www.phoenixcontact.com/us/products/1654895>

## Drawings

### Dimensional drawing



Patch panel with eight RJ45 connections

# VS-PP-R-8XRJ45/5-LSA - Patch panel



1654895

<https://www.phoenixcontact.com/us/products/1654895>

## Environmental product compliance

EU REACH SVHC

REACH candidate substance (CAS No.)	No substance above 0.1 wt%
-------------------------------------	----------------------------

Phoenix Contact 2026 © - all rights reserved

<https://www.phoenixcontact.com>

Phoenix Contact USA  
586 Fulling Mill Road  
Middletown, PA 17057, United States  
(+717) 944-1300  
[info@phoenixcon.com](mailto:info@phoenixcon.com)