

VS-09-A-GC-BLANK - Panel-mount frame



1654840

<https://www.phoenixcontact.com/us/products/1654840>

Please be informed that the data shown in this PDF document is generated from our online catalog. Please find the complete data in the user documentation. Our general terms of use for downloads are valid.

D-SUB panel mounting frame, shell size 1, IP67 degree of protection



Commercial data

| | |
|--------------------------------------|---------------|
| Item number | 1654840 |
| Packing unit | 5 pc |
| Minimum order quantity | 1 pc |
| Sales key | AB19 |
| Product key | ABNCBC |
| GTIN | 4046356028820 |
| Weight per piece (including packing) | 9.44 g |
| Weight per piece (excluding packing) | 9.44 g |
| Customs tariff number | 85369010 |
| Country of origin | DE |

Technical data

Notes

Safety note

| | |
|--------------------|--|
| <p>Safety note</p> | <p>WARNING: The connectors may not be plugged in or disconnected under load. Ignoring the warning or improper use may damage persons and/or property.</p> <ul style="list-style-type: none"> • WARNING: Commission properly functioning products only. The products must be regularly inspected for damage. Decommission defective products immediately. Replace damaged products. Repairs are not possible. • WARNING: Only electrically qualified personnel may install and operate the product. They must observe the following safety notes. The qualified personnel must be familiar with the basics of electrical engineering. They must be able to recognize and prevent danger. The relevant symbol on the packaging indicates that only personnel familiar with electrical engineering are allowed to install and operate the product. • The products are suitable for applications in plant, controller, and electrical device engineering. • When operating the connectors in outdoor applications, they must be separately protected against environmental influences. • Assembled products may not be manipulated or improperly opened. • Only use mating connectors that are specified in the technical data of the standards listed (e.g. the ones listed in the product accessories online at phoenixcontact.com/products). • When using the product in direct connection with third-party manufacturers, the user is responsible. • For operating voltages > 50 V AC, conductive connector housings must be grounded • Only use tools recommended by Phoenix Contact • The installation notes/Design In documents online on the download page at phoenixcontact.com/products must be observed for this product. • Use a protective cap to protect connectors that are not in use. The suitable accessories are available online in the accessory section of the product at phoenixcontact.com/products • Operate the connector only when it is fully plugged in and interlocked. • Operate the connector only when it is fully plugged in. • Ensure that when laying the cable, the tensile load on the connectors does not exceed the upper limit specified in the standards. • Observe the minimum bending radius of the cable. Lay the cable without twisting it. • VDE 0100/1.97 § 411.1.3.2 and DIN EN 60 204/11.98 § 14.1.3 are applicable when combining several circuits in a cable and/or connector |
|--------------------|--|

Product properties

VS-09-A-GC-BLANK - Panel-mount frame



1654840

<https://www.phoenixcontact.com/us/products/1654840>

| | |
|---------------------|-------------------|
| Product type | Panel-mount frame |
| Application | Gender changer |
| Type | Shell size 1 |
| Number of positions | 9 |
| Connection profile | D-SUB |

Electrical properties

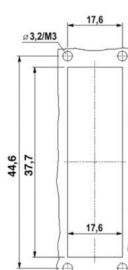
| | |
|---------------------|--------|
| Transmission medium | Copper |
|---------------------|--------|

Connection data

Connection technology

| | |
|-------------------|------------------|
| Connection method | Screw connection |
|-------------------|------------------|

Dimensions

| | |
|---------------------|---|
| Dimensional drawing |  |
| Width | 23.9 mm |
| Height | 24 mm |
| Length | 54 mm |

Material specifications

| | |
|--------------------------|----------------|
| Material | Plastic |
| Seal material | NBR |
| Housing material | Plastic |
| Housing surface material | PA, light gray |
| Contact surface material | Au/Ni |
| Contact carrier material | Polyester GF |

Environmental and real-life conditions

Ambient conditions

| | |
|---------------------------------|------------------|
| Degree of protection | IP65/IP67 |
| Ambient temperature (operation) | -40 °C ... 80 °C |

Mounting

| | |
|---------------|----------------|
| Mounting type | Front mounting |
|---------------|----------------|

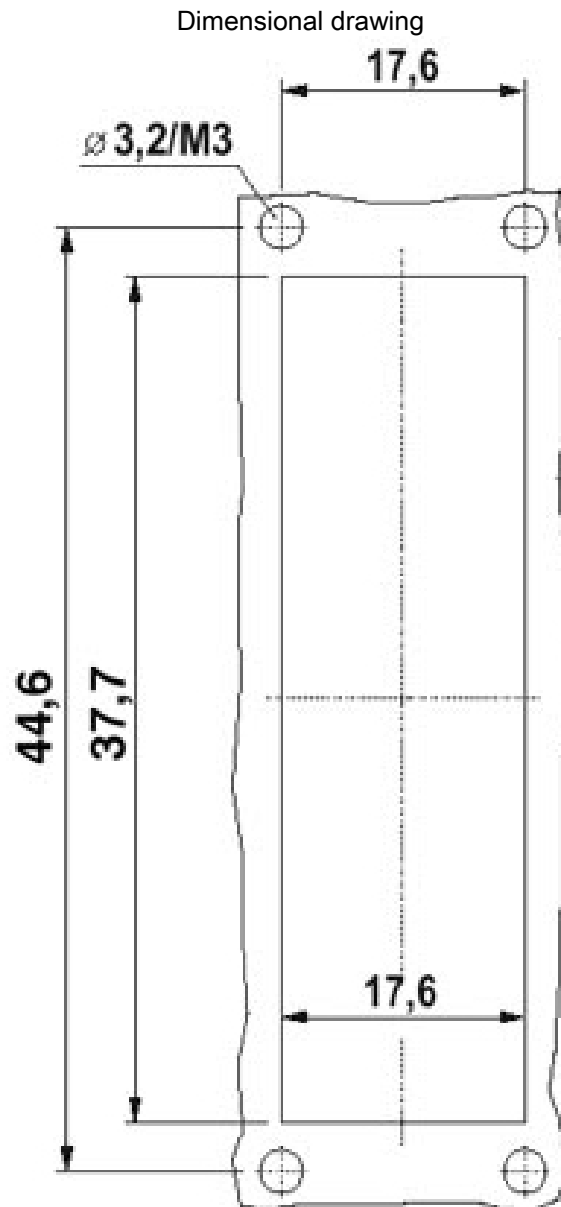
VS-09-A-GC-BLANK - Panel-mount frame

1654840

<https://www.phoenixcontact.com/us/products/1654840>



Drawings



Mounting cutout: VS-09-A...

VS-09-A-GC-BLANK - Panel-mount frame



1654840

<https://www.phoenixcontact.com/us/products/1654840>

Classifications

ECLASS

| | |
|-------------|----------|
| ECLASS-13.0 | 27440210 |
| ECLASS-15.0 | 27440210 |

ETIM

| | |
|-----------|----------|
| ETIM 10.0 | EC002310 |
|-----------|----------|

UNSPSC

| | |
|-------------|----------|
| UNSPSC 21.0 | 39121400 |
|-------------|----------|

VS-09-A-GC-BLANK - Panel-mount frame



1654840

<https://www.phoenixcontact.com/us/products/1654840>

Environmental product compliance

EU RoHS

| | |
|---|--------------------|
| Fulfills EU RoHS substance requirements | Yes, No exemptions |
|---|--------------------|

China RoHS

| | |
|--|--|
| Environment friendly use period (EFUP) | EFUP-E |
| | No hazardous substances above the limits |

EU REACH SVHC

| | |
|-------------------------------------|---|
| REACH candidate substance (CAS No.) | 6,6'-di-tert-butyl-2,2'-methylenedi-p-cresol(CAS: 119-47-1) |
| SCIP | 18166b62-fa94-42b2-a9cc-84c417a88ffc |

Phoenix Contact 2026 © - all rights reserved

<https://www.phoenixcontact.com>

Phoenix Contact USA
586 Fulling Mill Road
Middletown, PA 17057, United States
(+717) 944-1300
info@phoenixcon.com