

# VS-08-CS-VSIP67-OE-CH-4,0 - Data cable



1654594

<https://www.phoenixcontact.com/us/products/1654594>

Please be informed that the data shown in this PDF document is generated from our online catalog. Please find the complete data in the user documentation. Our general terms of use for downloads are valid.



Assembled Ethernet cable, CAT5e, shielded, 2-pair, 24 solid (1-wire) AWG, RAL 5021 (water blue), RJ45/IP67 on open cable end, customer-specific assignment, length: 4 m

## Commercial data

Item number	1654594
Packing unit	1 pc
Note	Made to order (non-returnable)
Sales key	NULL
Product key	ABNABE
GTIN	4017918963644
Weight per piece (including packing)	293.9 g
Weight per piece (excluding packing)	293.9 g
Customs tariff number	85444210
Country of origin	DE

1654594

<https://www.phoenixcontact.com/us/products/1654594>

## Technical data

### Product properties

Product type	Data cable preassembled
Product family	RJ45 INDUSTRIAL IE8 CAT5
Number of positions	4
Shielded	yes

### Interfaces

Signal type/category	Ethernet CAT5 (IEC 11801:2002)
----------------------	--------------------------------

### Electrical properties

Rated voltage (III/3)	60 V
Transmission medium	Copper
Transmission characteristics (category)	CAT5 (IEC 11801:2002)

### Material specifications

Outer sheath, material	Halogen-free compound, HM 2 in acc. with VDE 0207
------------------------	---

### Connector

#### Connection 1

Type	Plug straight RJ45
Degree of protection	IP67

#### Connection 2

Type	free cable end
------	----------------

### Cable/line

External sheath, color	blue
------------------------	------

### Environmental and real-life conditions

#### Ambient conditions

Degree of protection	IP67
	IP67
Ambient temperature (operation)	-30 °C ... 80 °C (cable, fixed installation)
	-5 °C ... 60 °C (Cable, flexible installation)
	Plug / socket

# VS-08-CS-VSIP67-OE-CH-4,0 - Data cable

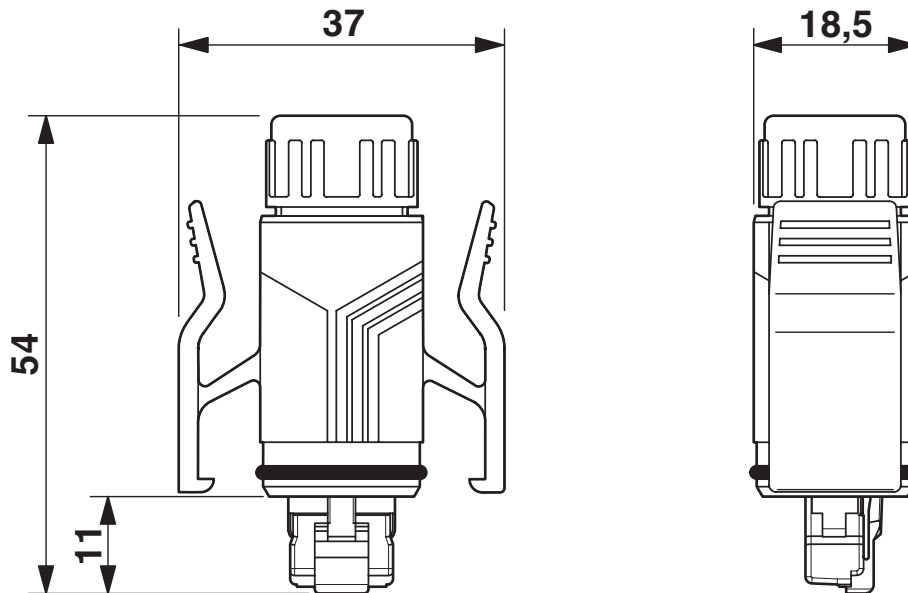


1654594

<https://www.phoenixcontact.com/us/products/1654594>

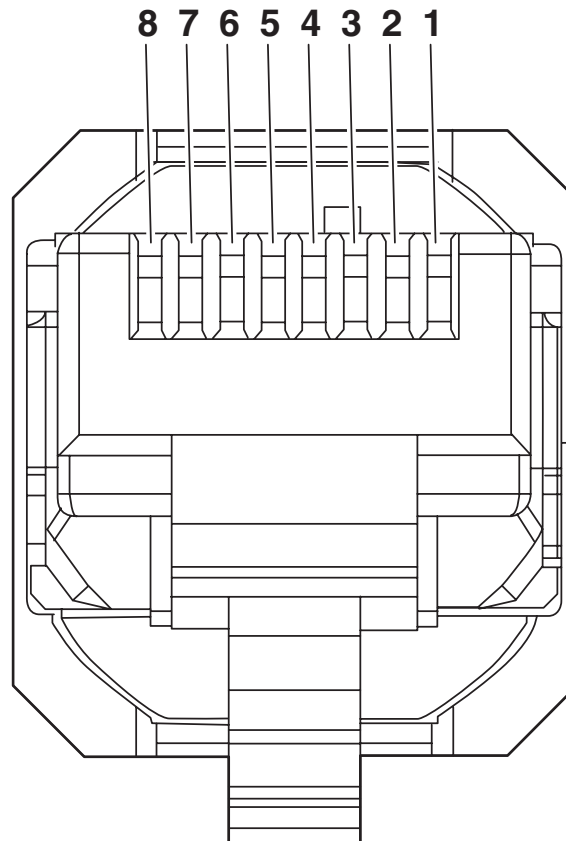
## Drawings

Dimensional drawing



RJ45 connector, IP67

Schematic diagram



Connector pin assignment plug RJ45

# VS-08-CS-VSIP67-OE-CH-4,0 - Data cable



1654594

<https://www.phoenixcontact.com/us/products/1654594>

## Classifications

### ECLASS

ECLASS-13.0	27060307
ECLASS-15.0	27060307

# VS-08-CS-VSIP67-OE-CH-4,0 - Data cable



1654594

<https://www.phoenixcontact.com/us/products/1654594>

## Environmental product compliance

### EU RoHS

Fulfills EU RoHS substance requirements	Yes, No exemptions
---	--------------------

### China RoHS

Environment friendly use period (EFUP)	EFUP-E
	No hazardous substances above the limits

### EU REACH SVHC

REACH candidate substance (CAS No.)	No substance above 0.1 wt%
-------------------------------------	----------------------------

Phoenix Contact 2026 © - all rights reserved  
<https://www.phoenixcontact.com>

Phoenix Contact USA  
586 Fulling Mill Road  
Middletown, PA 17057, United States  
(+717) 944-1300  
[info@phoenixcon.com](mailto:info@phoenixcon.com)