

VS-A-S-F-IP67 - Panel-mount frame

1654581

<https://www.phoenixcontact.com/us/products/1654581>

Please be informed that the data shown in this PDF document is generated from our online catalog. Please find the complete data in the user documentation. Our general terms of use for downloads are valid.



RJ45 panel mounting frame, IP67, irradiated for welding applications, for Freenet system, for round panel cutout, with grommet, without mounting screws

Commercial data

Item number	1654581
Packing unit	1 pc
Note	Made to order (non-returnable)
Sales key	NULL
Product key	ABNMAY
GTIN	4017918970796
Weight per piece (including packing)	6.51 g
Weight per piece (excluding packing)	6.51 g
Customs tariff number	85389099
Country of origin	DE

VS-A-S-F-IP67 - Panel-mount frame

1654581

<https://www.phoenixcontact.com/us/products/1654581>

Technical data

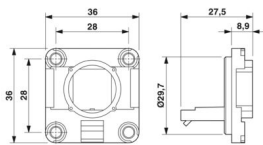
Product properties

Product type	Panel-mount frame
Type	RJ45, IP67, version 6

Insulation characteristics

Degree of pollution	2
---------------------	---

Dimensions

Dimensional drawing	
Width	36 mm
Height	36 mm
Depth	27.5 mm

Material specifications

Color	black
Flammability rating according to UL 94	HB
Seal material	NBR
Housing material	PA

Mechanical properties

Mechanical data

Insertion/withdrawal cycles	≥ 1000
-----------------------------	--------

Environmental and real-life conditions

Ambient conditions

Degree of protection	IP67
Ambient temperature (operation)	-40 °C ... 80 °C

VS-A-S-F-IP67 - Panel-mount frame

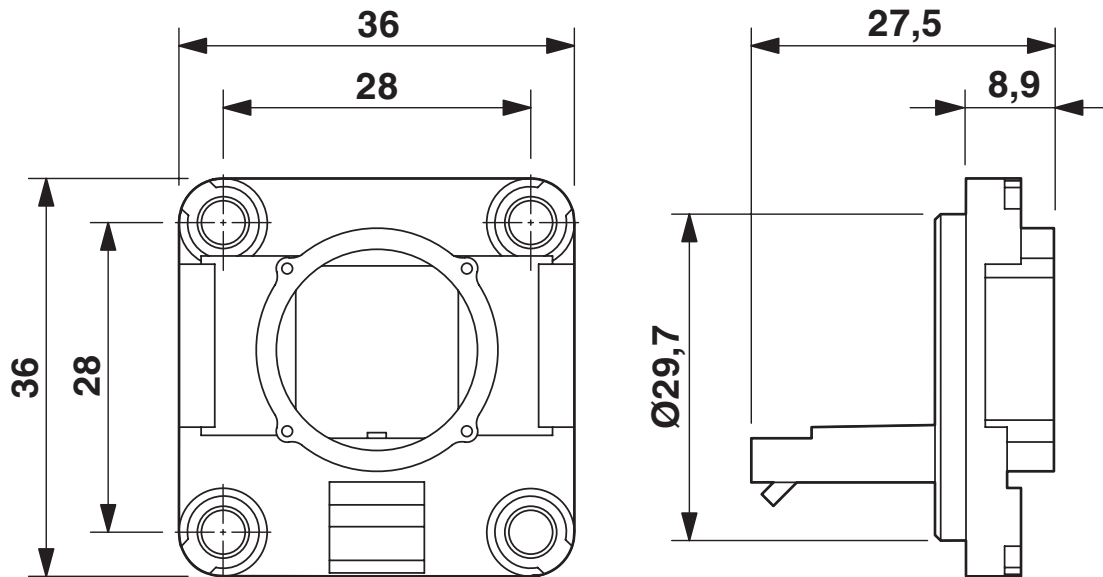


1654581

<https://www.phoenixcontact.com/us/products/1654581>

Drawings

Dimensional drawing



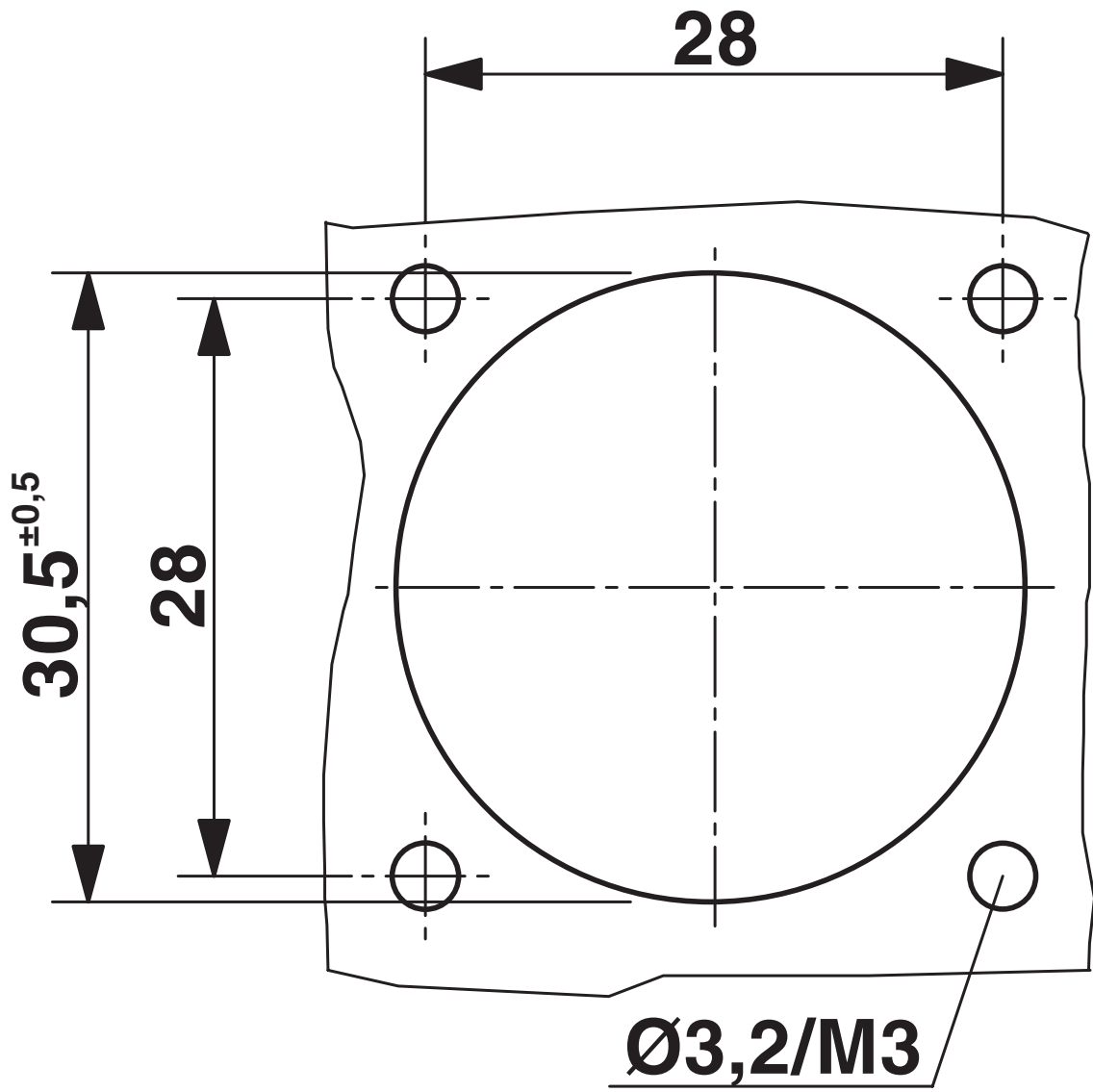
RJ45 panel mounting frame, IP67

VS-A-S-F-IP67 - Panel-mount frame

1654581

<https://www.phoenixcontact.com/us/products/1654581>

Dimensional drawing



Mounting cutout

VS-A-S-F-IP67 - Panel-mount frame



1654581

<https://www.phoenixcontact.com/us/products/1654581>

Environmental product compliance

EU REACH SVHC

REACH candidate substance (CAS No.)	
-------------------------------------	--

	No substance above 0.1 wt%
--	----------------------------

Phoenix Contact 2026 © - all rights reserved

<https://www.phoenixcontact.com>

Phoenix Contact USA
586 Fulling Mill Road
Middletown, PA 17057, United States
(+717) 944-1300
info@phoenixcon.com