

# VS-IL-2XGOF-50-2XSCRJ-20 - FO connecting cable



1654455

<https://www.phoenixcontact.com/us/products/1654455>

Please be informed that the data shown in this PDF document is generated from our online catalog. Please find the complete data in the user documentation. Our general terms of use for downloads are valid.



Assembled fiber optic cable, round cable, fiberglass multi-mode 50/125  $\mu\text{m}$ , SC-RJ/IP67 on SC-RJ/IP67, for installation inside buildings, length: 20 m

## Commercial data

Item number	1654455
Packing unit	1 pc
Note	Made to order (non-returnable)
Sales key	NULL
Product key	ABNIBC
GTIN	4017918970734
Weight per piece (including packing)	1,117.3 g
Weight per piece (excluding packing)	1,117.3 g
Customs tariff number	85447000
Country of origin	CH

# VS-IL-2XGOF-50-2XSCRJ-20 - FO connecting cable



1654455

<https://www.phoenixcontact.com/us/products/1654455>

## Technical data

### Product properties

Product type	Data cable preassembled
Number of positions	2

### Interfaces

Signal type/category	Ethernet
----------------------	----------

### Electrical properties

Attenuation	≤ 0.5 dB
-------------	----------

### Mechanical properties

#### Mechanical data

Insertion/withdrawal cycles	≥ 1000
-----------------------------	--------

### Material specifications

Seal material Cable seal	NBR
Housing material	PA
Outer sheath, material	PUR

### Connector

#### Connection 1

Type	Plug straight SC-RJ
Degree of protection	IP67

#### Connection 2

Type	Plug straight SC-RJ
Degree of protection	IP67

### Cable/line

Cable length	20.00 m
Cable type	Round cable
Signal type/category	Ethernet
Outer sheath, material	PUR
External sheath, color	orange
Smallest bending radius, fixed installation	50 mm
Smallest bending radius, movable installation	50 mm
Ambient temperature (operation)	-20 °C ... 70 °C

#### FO cable

Number of fibers	2
Fiber type	GOF
Transmission medium	FO

# VS-IL-2XGOF-50-2XSCRJ-20 - FO connecting cable



1654455

<https://www.phoenixcontact.com/us/products/1654455>

## Environmental and real-life conditions

### Ambient conditions

Degree of protection	IP67
	IP67
Ambient temperature (operation) (Cable, fixed installation)	-20 °C ... 70 °C

# VS-IL-2XGOF-50-2XSCRJ-20 - FO connecting cable

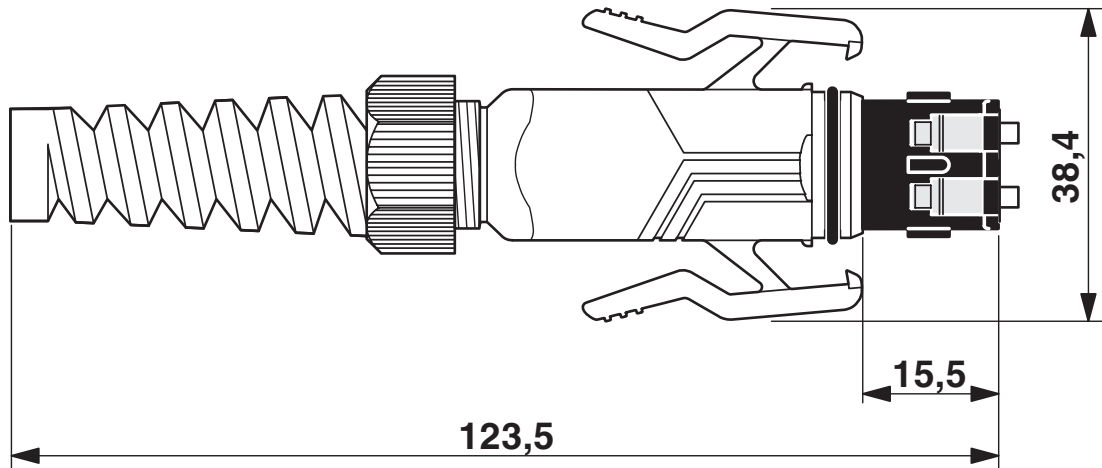


1654455

<https://www.phoenixcontact.com/us/products/1654455>

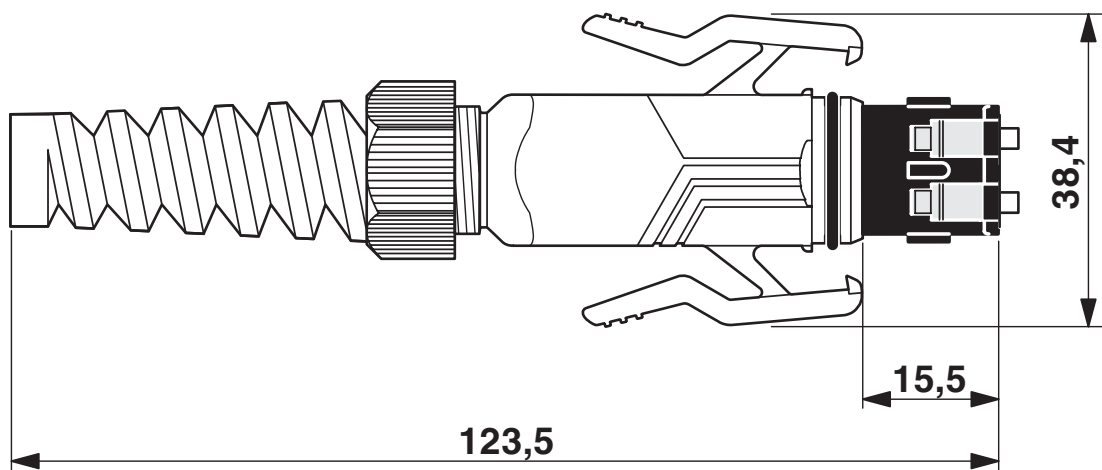
## Drawings

Dimensional drawing



SC-RJ connector, GOF, IP67

Dimensional drawing



SC-RJ connector, GOF, IP67

# VS-IL-2XGOF-50-2XSCRJ-20 - FO connecting cable



1654455

<https://www.phoenixcontact.com/us/products/1654455>

## Environmental product compliance

EU REACH SVHC

REACH candidate substance (CAS No.)	
-------------------------------------	--

	No substance above 0.1 wt%
--	----------------------------

Phoenix Contact 2026 © - all rights reserved

<https://www.phoenixcontact.com>

Phoenix Contact USA  
586 Fulling Mill Road  
Middletown, PA 17057, United States  
(+717) 944-1300  
[info@phoenixcon.com](mailto:info@phoenixcon.com)