

VS-IL-2XGOF-50-2XSCRJ-10 - FO connecting cable



1654442

<https://www.phoenixcontact.com/us/products/1654442>

Please be informed that the data shown in this PDF document is generated from our online catalog. Please find the complete data in the user documentation. Our general terms of use for downloads are valid.



Assembled fiber optic cable, round cable, fiberglass multi-mode 50/125 μm , SC-RJ/IP67 on SC-RJ/IP67, for installation inside buildings, length: 10 m

Commercial data

| | |
|--------------------------------------|--------------------------------|
| Item number | 1654442 |
| Packing unit | 1 pc |
| Note | Made to order (non-returnable) |
| Sales key | NULL |
| Product key | ABNIBC |
| GTIN | 4017918970727 |
| Weight per piece (including packing) | 610.5 g |
| Weight per piece (excluding packing) | 610.5 g |
| Customs tariff number | 85447000 |
| Country of origin | CH |

VS-IL-2XGOF-50-2XSCRJ-10 - FO connecting cable



1654442

<https://www.phoenixcontact.com/us/products/1654442>

Technical data

Product properties

| | |
|---------------------|-------------------------|
| Product type | Data cable preassembled |
| Number of positions | 2 |

Interfaces

| | |
|----------------------|----------|
| Signal type/category | Ethernet |
|----------------------|----------|

Electrical properties

| | |
|-------------|----------|
| Attenuation | ≤ 0.5 dB |
|-------------|----------|

Mechanical properties

Mechanical data

| | |
|-----------------------------|--------|
| Insertion/withdrawal cycles | ≥ 1000 |
|-----------------------------|--------|

Material specifications

| | |
|--------------------------|-----|
| Seal material Cable seal | NBR |
| Housing material | PA |
| Outer sheath, material | PUR |

Connector

Connection 1

| | |
|----------------------|---------------------|
| Type | Plug straight SC-RJ |
| Degree of protection | IP67 |

Connection 2

| | |
|----------------------|---------------------|
| Type | Plug straight SC-RJ |
| Degree of protection | IP67 |

Cable/line

| | |
|---|------------------|
| Cable length | 10.00 m |
| Cable type | Round cable |
| Signal type/category | Ethernet |
| Outer sheath, material | PUR |
| External sheath, color | orange |
| Smallest bending radius, fixed installation | 50 mm |
| Smallest bending radius, movable installation | 50 mm |
| Ambient temperature (operation) | -20 °C ... 70 °C |

FO cable

| | |
|---------------------|-----|
| Number of fibers | 2 |
| Fiber type | GOF |
| Transmission medium | FO |

VS-IL-2XGOF-50-2XSCRJ-10 - FO connecting cable



1654442

<https://www.phoenixcontact.com/us/products/1654442>

Environmental and real-life conditions

Ambient conditions

| | |
|---|------------------|
| Degree of protection | IP67 |
| | IP67 |
| Ambient temperature (operation) (Cable, fixed installation) | -20 °C ... 70 °C |

VS-IL-2XGOF-50-2XSCRJ-10 - FO connecting cable

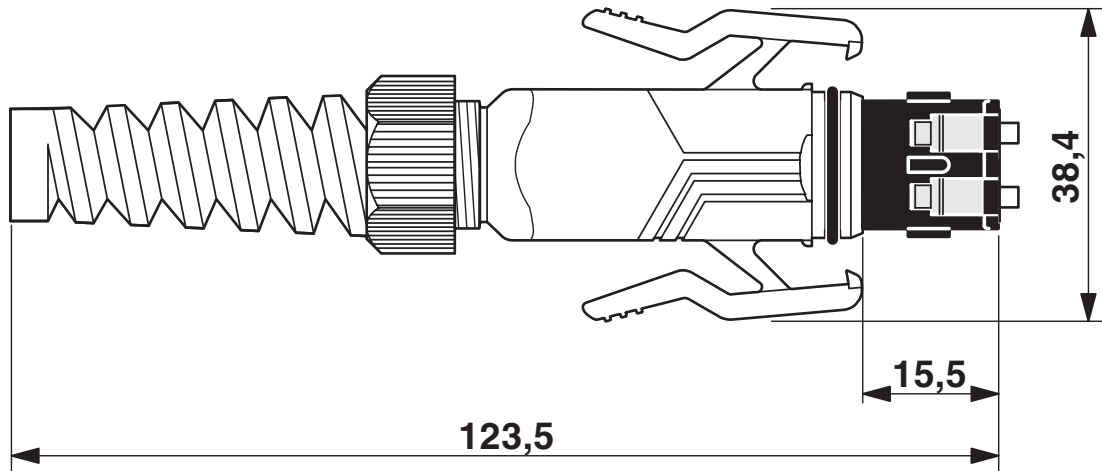


1654442

<https://www.phoenixcontact.com/us/products/1654442>

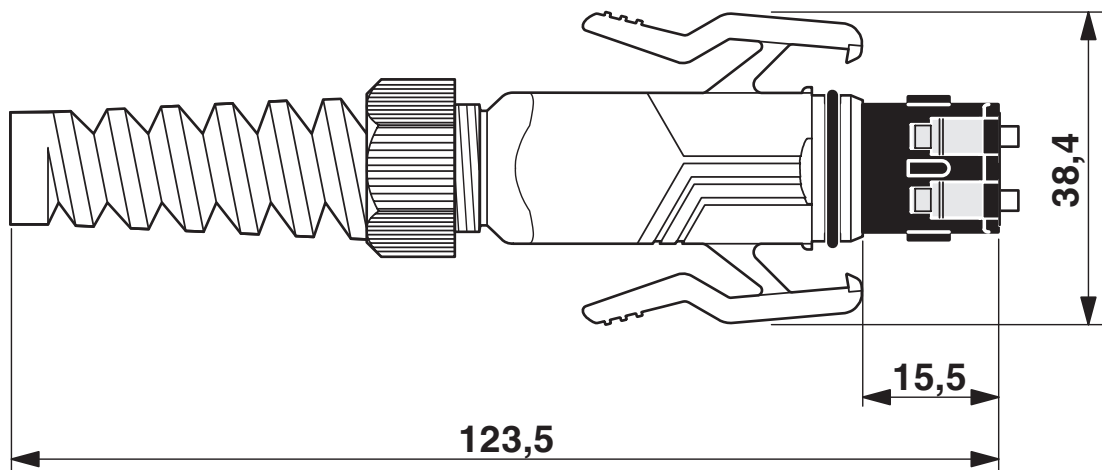
Drawings

Dimensional drawing



SC-RJ connector, GOF, IP67

Dimensional drawing



SC-RJ connector, GOF, IP67

VS-IL-2XGOF-50-2XSCRJ-10 - FO connecting cable



1654442

<https://www.phoenixcontact.com/us/products/1654442>

Environmental product compliance

EU REACH SVHC

| REACH candidate substance (CAS No.) | |
|-------------------------------------|--|
|-------------------------------------|--|

| | |
|--|----------------------------|
| | No substance above 0.1 wt% |
|--|----------------------------|

Phoenix Contact 2026 © - all rights reserved

<https://www.phoenixcontact.com>

Phoenix Contact USA
586 Fulling Mill Road
Middletown, PA 17057, United States
(+717) 944-1300
info@phoenixcon.com