

VS-SCRJ-TB-2F-SCRJ-GOF/IP65 - SC-RJ terminal box



1653799

<https://www.phoenixcontact.com/us/products/1653799>

Please be informed that the data shown in this PDF document is generated from our online catalog. Please find the complete data in the user documentation. Our general terms of use for downloads are valid.

Terminal outlet, VS-SC-RJ, surface mounting, IP65, two slots, with SC-RJ coupling, for round cable 5 mm ... 13 mm, with filler plug, color: gray



Commercial data

Item number	1653799
Packing unit	1 pc
Note	Made to order (non-returnable)
Sales key	NULL
Product key	ABNNBA
GTIN	4017918970154
Weight per piece (including packing)	897.5 g
Weight per piece (excluding packing)	897.5 g
Customs tariff number	85369010
Country of origin	DE

VS-SCRJ-TB-2F-SCRJ-GOF/IP65 - SC-RJ terminal box



1653799

<https://www.phoenixcontact.com/us/products/1653799>

Technical data

Product properties

Number of positions	2
No. of cable outlets	2
Number of slots	2

Connection data

Connection method	Coupling
-------------------	----------

Dimensions

Mechanical characteristics

Ferrule diameter	2.50 mm
------------------	---------

Material specifications

Color	beige RAL 1001
Material Ferrule	Zirconia ceramic
Housing material	Aluminum alloy
Contact carrier material	PBT

Cable/line

Cable type	Round cable
External cable diameter	5 mm ... 13 mm

FO cable

Number of fibers	2
Fiber type	GOF, PCF, POF

Mechanical properties

Mechanical data

Insertion/withdrawal cycles	≥ 500
-----------------------------	-------

Environmental and real-life conditions

Ambient conditions

Degree of protection	IP65
Ambient temperature (operation)	-40 °C ... 80 °C

Mounting

Mounting type	Surface/Panel mounting
---------------	------------------------

VS-SCRJ-TB-2F-SCRJ-GOF/IP65 - SC-RJ terminal box

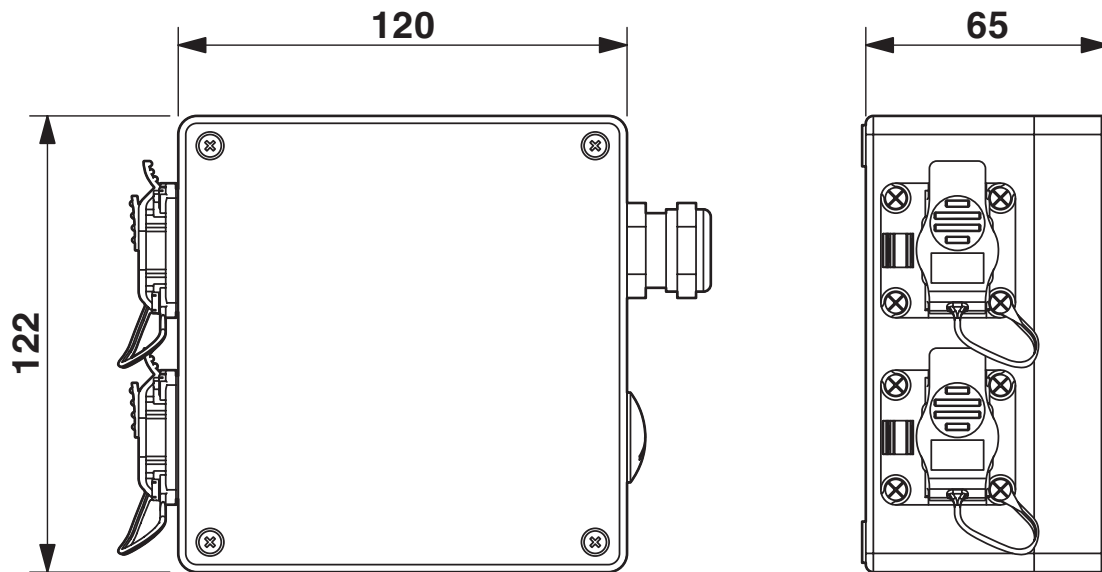


1653799

<https://www.phoenixcontact.com/us/products/1653799>

Drawings

Dimensional drawing



Terminal outlet

VS-SCRJ-TB-2F-SCRJ-GOF/IP65 - SC-RJ terminal box



1653799

<https://www.phoenixcontact.com/us/products/1653799>

Environmental product compliance

EU REACH SVHC

REACH candidate substance (CAS No.)	No substance above 0.1 wt%
-------------------------------------	----------------------------

Phoenix Contact 2026 © - all rights reserved

<https://www.phoenixcontact.com>

Phoenix Contact USA
586 Fulling Mill Road
Middletown, PA 17057, United States
(+717) 944-1300
info@phoenixcon.com