

# VS-08-SD-F-S - Protective cover

1653139

<https://www.phoenixcontact.com/us/products/1653139>

Please be informed that the data shown in this PDF document is generated from our online catalog. Please find the complete data in the user documentation. Our general terms of use for downloads are valid.

Protective cover, IP67, irradiated for welding applications, flat design, to cover the contact insert in the panel mounting frame



## Commercial data

Item number	1653139
Packing unit	1 pc
Note	Made to order (non-returnable)
Sales key	NULL
Product key	ABNMAY
GTIN	4017918970055
Weight per piece (including packing)	5.12 g
Weight per piece (excluding packing)	4.5 g
Customs tariff number	39235090
Country of origin	DE

# VS-08-SD-F-S - Protective cover

1653139

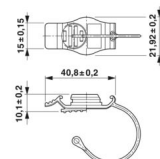
<https://www.phoenixcontact.com/us/products/1653139>

## Technical data

### Product properties

Product type	Protective cover
Connection profile	RJ45

### Dimensions

Dimensional drawing	
Width	22 mm
Height	10 mm
Length	41 mm

### Material specifications

Color	black
Material	Plastic
Flammability rating according to UL 94	HB
Seal material	EDPM, self-greasing
Housing material	PA

### Environmental and real-life conditions

#### Ambient conditions

Degree of protection	IP67
Ambient temperature (operation)	-40 °C ... 80 °C

# VS-08-SD-F-S - Protective cover

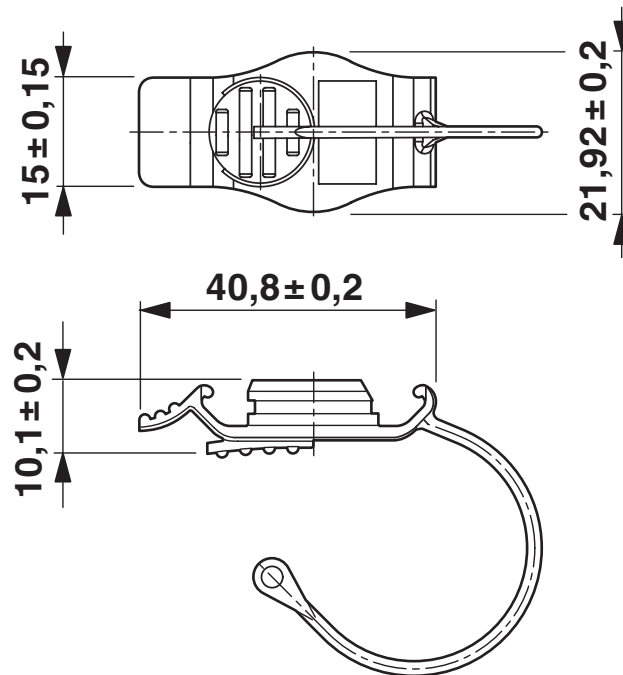
1653139

<https://www.phoenixcontact.com/us/products/1653139>



## Drawings

Dimensional drawing



Protective cover, IP67

# VS-08-SD-F-S - Protective cover



1653139

<https://www.phoenixcontact.com/us/products/1653139>

## Environmental product compliance

EU REACH SVHC

REACH candidate substance (CAS No.)	
-------------------------------------	--

	No substance above 0.1 wt%
--	----------------------------

Phoenix Contact 2026 © - all rights reserved

<https://www.phoenixcontact.com>

Phoenix Contact USA  
586 Fulling Mill Road  
Middletown, PA 17057, United States  
(+717) 944-1300  
[info@phoenixcon.com](mailto:info@phoenixcon.com)