

VS-08-BU-RJ45-5-F/BU - RJ45 jack insert

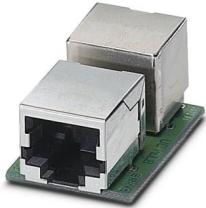


1652952

<https://www.phoenixcontact.com/us/products/1652952>

Please be informed that the data shown in this PDF document is generated from our online catalog. Please find the complete data in the user documentation. Our general terms of use for downloads are valid.

RJ45 socket insert, for the Freenet system, CAT5e, 8-pos., shielded, socket on socket



Commercial data

Item number	1652952
Packing unit	1 pc
Note	Made to order (non-returnable)
Sales key	NULL
Product key	ABNMAY
GTIN	4017918952976
Weight per piece (including packing)	13.22 g
Weight per piece (excluding packing)	12.908 g
Customs tariff number	85366990
Country of origin	CH

VS-08-BU-RJ45-5-F/BU - RJ45 jack insert



1652952

<https://www.phoenixcontact.com/us/products/1652952>

Degree of protection	IP20
Ambient temperature (operation)	-20 °C ... 70 °C
Ambient temperature (storage/transport)	-40 °C ... 70 °C
Ambient temperature (assembly)	-10 °C ... 60 °C

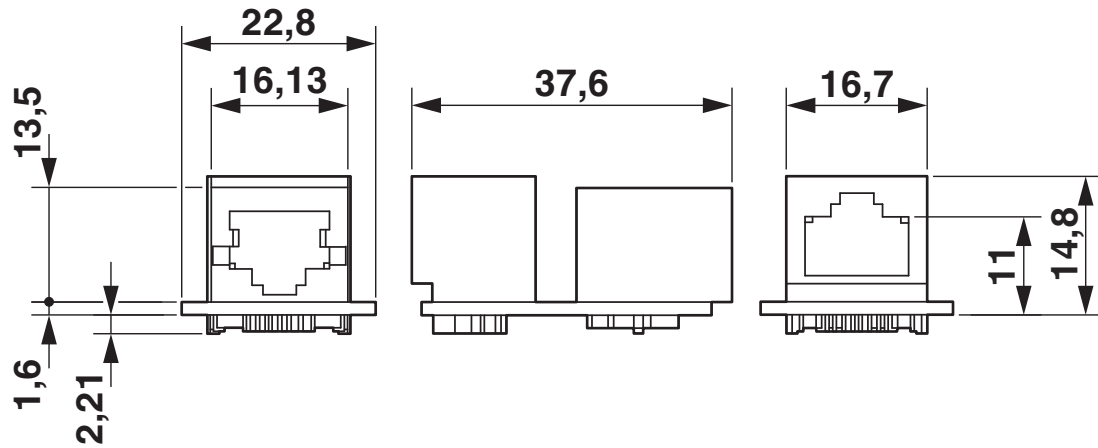
VS-08-BU-RJ45-5-F/BU - RJ45 jack insert

1652952

<https://www.phoenixcontact.com/us/products/1652952>

Drawings

Dimensional drawing



RJ45 socket insert, Freenet system

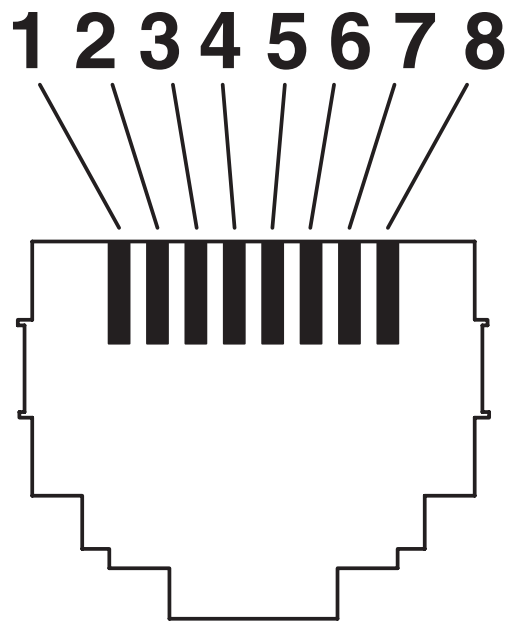
VS-08-BU-RJ45-5-F/BU - RJ45 jack insert

1652952

<https://www.phoenixcontact.com/us/products/1652952>



Schematic diagram



VS-08-BU-RJ45-5-F/BU - RJ45 jack insert



1652952

<https://www.phoenixcontact.com/us/products/1652952>

Environmental product compliance

EU REACH SVHC

REACH candidate substance (CAS No.)	No substance above 0.1 wt%
-------------------------------------	----------------------------

Phoenix Contact 2026 © - all rights reserved

<https://www.phoenixcontact.com>

Phoenix Contact USA
586 Fulling Mill Road
Middletown, PA 17057, United States
(+717) 944-1300
info@phoenixcon.com