

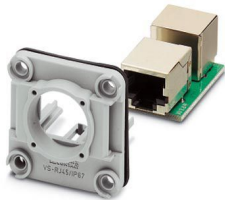
# VS-08-A-RJ/MOD-F-IP67-SET-BU - Panel-mount frame



1652910

<https://www.phoenixcontact.com/us/products/1652910>

Please be informed that the data shown in this PDF document is generated from our online catalog. Please find the complete data in the user documentation. Our general terms of use for downloads are valid.



RJ45 panel mounting frame, IP67, with the Freenet system, for round panel cutout, with grommet, without mounting screws, with Freenet RJ45 socket insert, CAT5e, socket on socket

## Commercial data

Item number	1652910
Packing unit	5 pc
Minimum order quantity	1 pc
Sales key	AB17
Product key	ABNND A
GTIN	4017918951269
Weight per piece (including packing)	23.8 g
Weight per piece (excluding packing)	6.6 g
Customs tariff number	85366990
Country of origin	DE

# VS-08-A-RJ/MOD-F-IP67-SET-BU - Panel-mount frame



1652910

<https://www.phoenixcontact.com/us/products/1652910>

## Technical data

### Product properties

Product type	Panel-mount frame
Application	Modular insert
Type	Version 6
Connection profile	RJ45

### Electrical properties

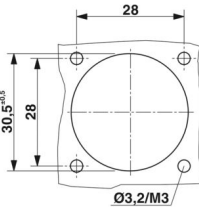
Transmission medium	Copper
---------------------	--------

### Connection data

#### Connection technology

Connection method	Screw connection
-------------------	------------------

### Dimensions

Dimensional drawing	
Width	36 mm
Height	36 mm
Length	53.2 mm

### Material specifications

Flammability rating according to UL 94	V0
Seal material, flat gasket	NBR
Housing material	Plastic

### Environmental and real-life conditions

#### Ambient conditions

Degree of protection	IP67
----------------------	------

### Mounting

Mounting type	Front mounting
---------------	----------------

# VS-08-A-RJ/MOD-F-IP67-SET-BU - Panel-mount frame

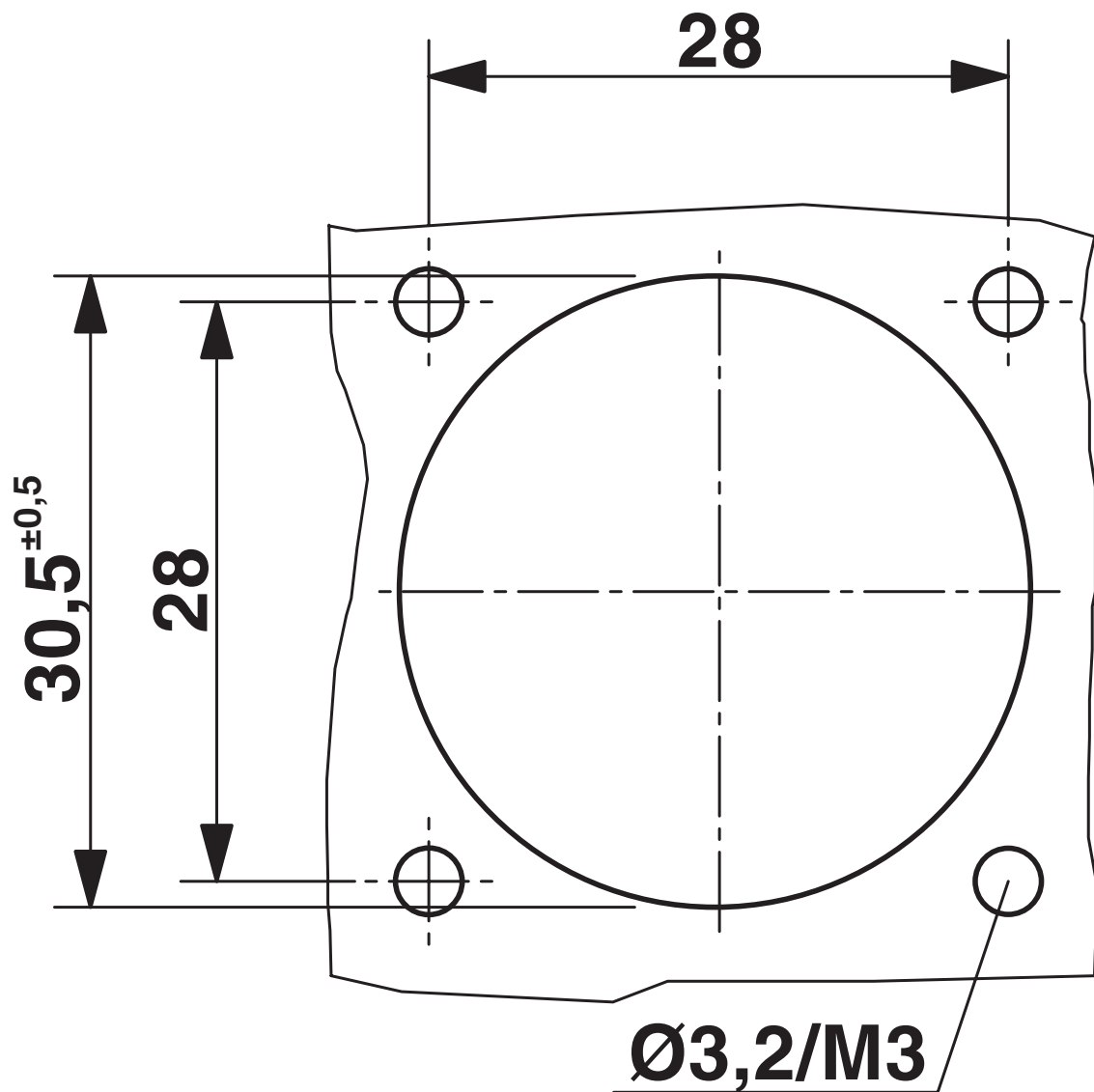


1652910

<https://www.phoenixcontact.com/us/products/1652910>

## Drawings

Dimensional drawing



Mounting cutout

# VS-08-A-RJ/MOD-F-IP67-SET-BU - Panel-mount frame



1652910

<https://www.phoenixcontact.com/us/products/1652910>

## Classifications

### ECLASS

ECLASS-13.0	27440392
ECLASS-15.0	27440318

### ETIM

ETIM 10.0	EC002597
-----------	----------

### UNSPSC

UNSPSC 21.0	39121400
-------------	----------

# VS-08-A-RJ/MOD-F-IP67-SET-BU - Panel-mount frame



1652910

<https://www.phoenixcontact.com/us/products/1652910>

## Environmental product compliance

### EU RoHS

Fulfills EU RoHS substance requirements	Yes, No exemptions
---	--------------------

### China RoHS

Environment friendly use period (EFUP)	EFUP-E
	No hazardous substances above the limits

### EU REACH SVHC

REACH candidate substance (CAS No.)	No substance above 0.1 wt%
-------------------------------------	----------------------------

Phoenix Contact 2026 © - all rights reserved  
<https://www.phoenixcontact.com>

Phoenix Contact USA  
586 Fulling Mill Road  
Middletown, PA 17057, United States  
(+717) 944-1300  
[info@phoenixcon.com](mailto:info@phoenixcon.com)