

VS-08-T-H-S-RJ45/IP67 - RJ45 sleeve housing

1652855

<https://www.phoenixcontact.com/us/products/1652855>

Please be informed that the data shown in this PDF document is generated from our online catalog. Please find the complete data in the user documentation. Our general terms of use for downloads are valid.



RJ45 sleeve housing, IP67, irradiated for welding applications, for pin inserts VS-08-ST-H11-RJ45 and VS-08-ST-H21-RJ45, with push-pull interlocking for panel mounting frames, cable cross section 5.0 mm ... 8.5 mm

Commercial data

Item number	1652855
Packing unit	1 pc
Note	Made to order (non-returnable)
Sales key	NULL
Product key	ABNMAY
GTIN	4017918969875
Weight per piece (including packing)	13.8 g
Weight per piece (excluding packing)	13.23 g
Customs tariff number	85472000
Country of origin	DE

VS-08-T-H-S-RJ45/IP67 - RJ45 sleeve housing



1652855

<https://www.phoenixcontact.com/us/products/1652855>

Technical data

Product properties

Product type	Sleeve housings
Type	RJ45, IP67, version 6
No. of cable outlets	1
Cable outlet	straight

Material specifications

Color	black
Flammability rating according to UL 94	HB
Seal material O-ring	FPM
Seal material Cable seal	NBR
Housing material	PA

Cable/line

External cable diameter	5 mm ... 8.5 mm
-------------------------	-----------------

Mechanical properties

Mechanical data

Insertion/withdrawal cycles	≥ 1000
-----------------------------	--------

Environmental and real-life conditions

Ambient conditions

Degree of protection	IP67
Ambient temperature (operation)	-40 °C ... 80 °C

VS-08-T-H-S-RJ45/IP67 - RJ45 sleeve housing

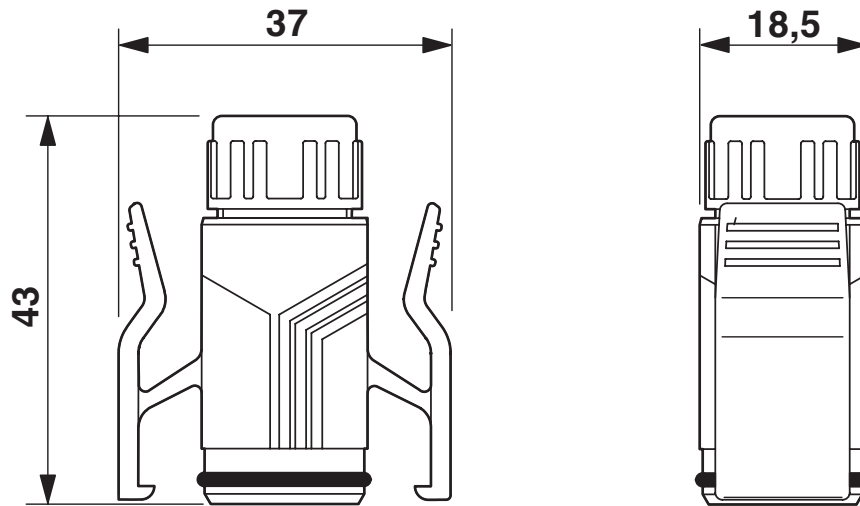
1652855

<https://www.phoenixcontact.com/us/products/1652855>



Drawings

Dimensional drawing



RJ45 sleeve housing IP67

VS-08-T-H-S-RJ45/IP67 - RJ45 sleeve housing



1652855

<https://www.phoenixcontact.com/us/products/1652855>

Environmental product compliance

EU REACH SVHC

REACH candidate substance (CAS No.)	No substance above 0.1 wt%
-------------------------------------	----------------------------

Phoenix Contact 2026 © - all rights reserved

<https://www.phoenixcontact.com>

Phoenix Contact USA
586 Fulling Mill Road
Middletown, PA 17057, United States
(+717) 944-1300
info@phoenixcon.com