

VS-25-A-DEVNET-LH - D-SUB contact insert



1652787

<https://www.phoenixcontact.com/us/products/1652787>

Please be informed that the data shown in this PDF document is generated from our online catalog. Please find the complete data in the user documentation. Our general terms of use for downloads are valid.

D-SUB panel mounting frame, for DeviceNet, shell size 3, header, solder-in connection, unshielded, connection direction angled, IP67 degree of protection



Commercial data

Item number	1652787
Packing unit	1 pc
Note	Made to order (non-returnable)
Sales key	NULL
Product key	ABNCAZ
GTIN	4017918969868
Weight per piece (including packing)	8.5 g
Weight per piece (excluding packing)	8.5 g
Customs tariff number	85369010
Country of origin	DE

VS-25-A-DEVNET-LH - D-SUB contact insert



1652787

<https://www.phoenixcontact.com/us/products/1652787>

Technical data

Product properties

Product type	Contact insert
Number of positions	5

Insulation characteristics

Overvoltage category	III
Degree of pollution	3

Electrical properties

Rated voltage (III/3)	250 V
Rated current	8 A

Connection data

Connection method	Solder connection
-------------------	-------------------

Material specifications

Flammability rating according to UL 94	V0
Housing material	PA
Contact material	Cu alloy
Contact surface material	gold-plated
Contact carrier material	PBT

Environmental and real-life conditions

Ambient conditions

Degree of protection	IP67
Ambient temperature (operation)	-40 °C ... 80 °C

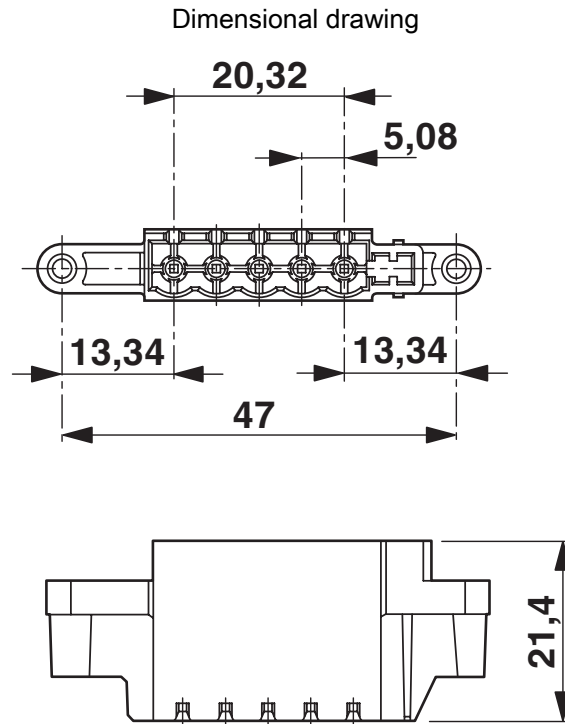
VS-25-A-DEVNET-LH - D-SUB contact insert



1652787

<https://www.phoenixcontact.com/us/products/1652787>

Drawings



VS-25-A-DEVNET-LH - D-SUB contact insert



1652787

<https://www.phoenixcontact.com/us/products/1652787>

Environmental product compliance

EU RoHS

Fulfills EU RoHS substance requirements	Yes, No exemptions
---	--------------------

EU REACH SVHC

REACH candidate substance (CAS No.)	No substance above 0.1 wt%
-------------------------------------	----------------------------

Phoenix Contact 2026 © - all rights reserved

<https://www.phoenixcontact.com>

Phoenix Contact USA
586 Fulling Mill Road
Middletown, PA 17057, United States
(+717) 944-1300
info@phoenixcon.com