

VS-09-SET1 - Connector set

1652703

<https://www.phoenixcontact.com/us/products/1652703>

Please be informed that the data shown in this PDF document is generated from our online catalog. Please find the complete data in the user documentation. Our general terms of use for downloads are valid.

D-SUB connector set, shell size 1, IP67 degree of protection



Commercial data

Item number	1652703
Packing unit	1 pc
Minimum order quantity	1 pc
Product key	ABNCAZ
GTIN	4017918936518
Weight per piece (including packing)	67.3 g
Weight per piece (excluding packing)	64.9 g
Country of origin	DE

VS-09-SET1 - Connector set



1652703

<https://www.phoenixcontact.com/us/products/1652703>

Technical data

Product properties

No. of cable outlets	2
Cable outlet	slanted

Dimensions

External dimensions

External diameter min.	5 mm
External diameter max.	13 mm

Material specifications

Color	gray
Flammability rating according to UL 94	V0
Seal material	Cable seal: Outside CR/NBR, Inside TPE
Housing material	PA

Cable/line

Cable type	Round cable
------------	-------------

Environmental and real-life conditions

Ambient conditions

Degree of protection	IP67
Ambient temperature (operation)	-40 °C ... 80 °C

VS-09-SET1 - Connector set

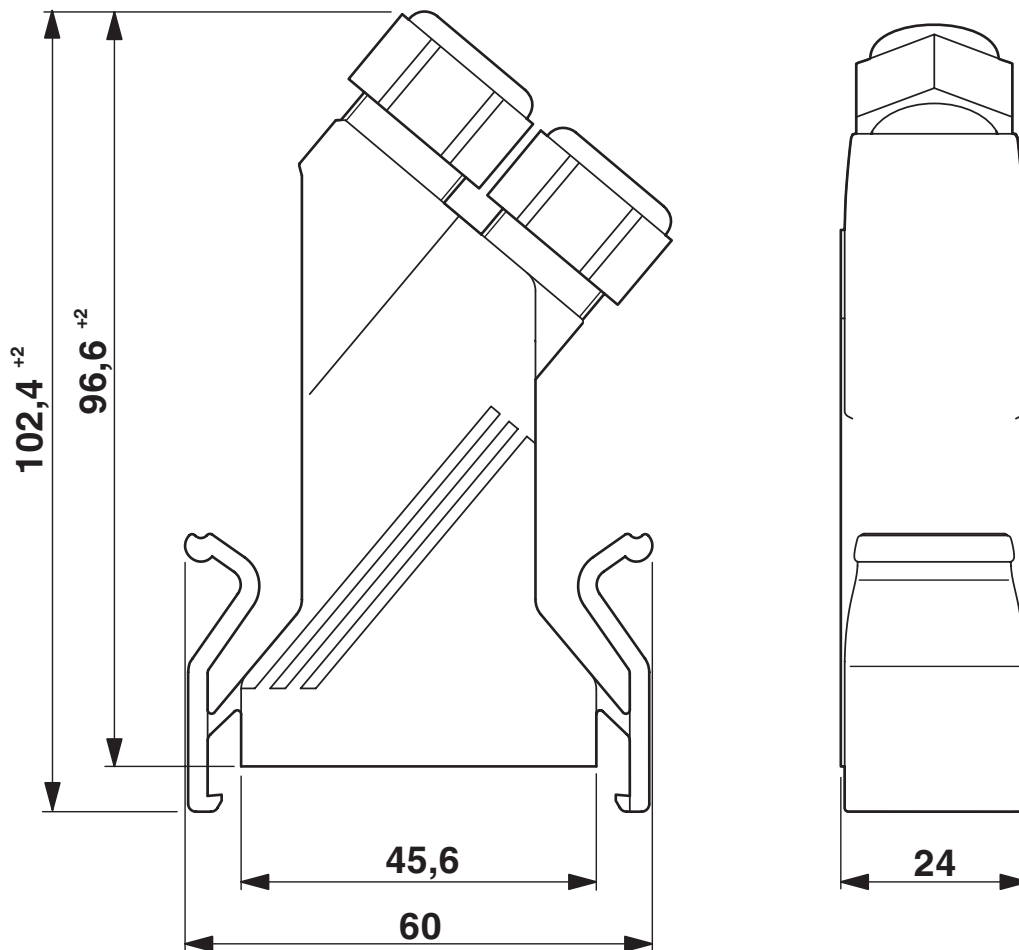
1652703

<https://www.phoenixcontact.com/us/products/1652703>



Drawings

Dimensional drawing



VS-09-SET1 - Connector set

1652703

<https://www.phoenixcontact.com/us/products/1652703>



Classifications

UNSPSC

UNSPSC 21.0	39121522
-------------	----------

VS-09-SET1 - Connector set



1652703

<https://www.phoenixcontact.com/us/products/1652703>

Environmental product compliance

China RoHS

Environment friendly use period (EFUP)	EFUP-50
	An article-related China RoHS declaration table can be found in the download area for the respective article under "Manufacturer declaration". For all articles with EFUP-E, no China RoHS declaration table issued and required.

EU REACH SVHC

REACH candidate substance (CAS No.)	No substance above 0.1 wt%
-------------------------------------	----------------------------

Phoenix Contact 2026 © - all rights reserved
<https://www.phoenixcontact.com>

Phoenix Contact USA
586 Fulling Mill Road
Middletown, PA 17057, United States
(+717) 944-1300
info@phoenixcon.com