

VS-ADP24-VS09/VS09-GS-BU/BU - Adapter plate

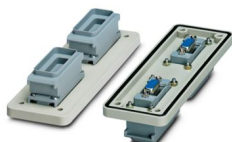


1652499

<https://www.phoenixcontact.com/us/products/1652499>

Please be informed that the data shown in this PDF document is generated from our online catalog. Please find the complete data in the user documentation. Our general terms of use for downloads are valid.

Adapter plate, size B24, reinforced, including panel mounting frame with DSUB 9 protective cover and gender changer contact insert socket/socket, and panel mounting frame with DSUB 9 protective cover and gender changer contact insert socket/socket



Commercial data

| | |
|--------------------------------------|--------------------------------|
| Item number | 1652499 |
| Packing unit | 1 pc |
| Note | Made to order (non-returnable) |
| Sales key | NULL |
| Product key | ABNCAS |
| GTIN | 4017918960575 |
| Weight per piece (including packing) | 94.6 g |
| Weight per piece (excluding packing) | 91.75 g |
| Customs tariff number | 85366990 |
| Country of origin | DE |

VS-ADP24-VS09/VS09-GS-BU/BU - Adapter plate



1652499

<https://www.phoenixcontact.com/us/products/1652499>

Technical data

Product properties

| | |
|--------------|---------------|
| Product type | Adapter plate |
| Type | B24 |

Material specifications

| | |
|--|-----|
| Material | PA |
| Flammability rating according to UL 94 | HB |
| Seal material | TPE |

Environmental and real-life conditions

Ambient conditions

| | |
|---------------------------------|------------------|
| Degree of protection | IP54 |
| Ambient temperature (operation) | -20 °C ... 80 °C |

VS-ADP24-VS09/VS09-GS-BU/BU - Adapter plate

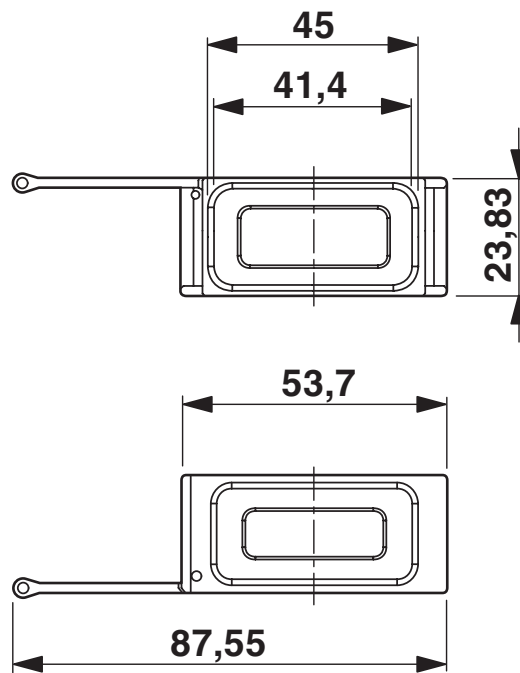


1652499

<https://www.phoenixcontact.com/us/products/1652499>

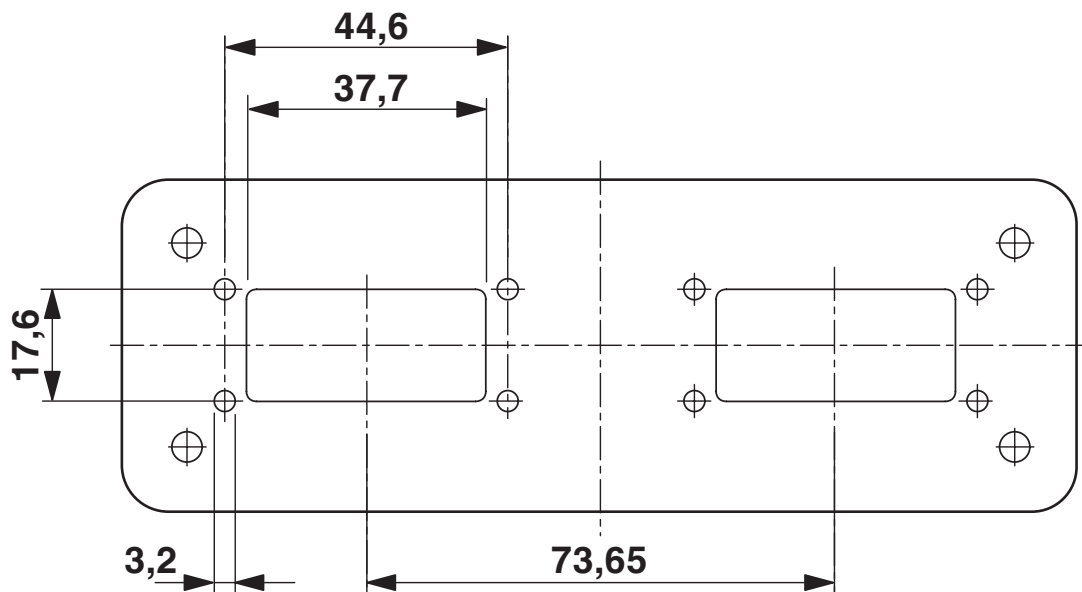
Drawings

Dimensional drawing



Protective cover for D-SUB

Dimensional drawing



Mounting cutout

VS-ADP24-VS09/VS09-GS-BU/BU - Adapter plate



1652499

<https://www.phoenixcontact.com/us/products/1652499>

Classifications

ECLASS

| | |
|-------------|----------|
| ECLASS-13.0 | 27060307 |
| ECLASS-15.0 | 27060307 |

Phoenix Contact 2026 © - all rights reserved

<https://www.phoenixcontact.com>

Phoenix Contact USA
586 Fulling Mill Road
Middletown, PA 17057, United States
(+717) 944-1300
info@phoenixcon.com