

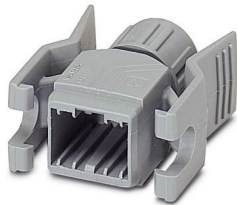
# VS-08-T-G-RJ45/IP20 - RJ45 sleeve housing



1652295

<https://www.phoenixcontact.com/us/products/1652295>

Please be informed that the data shown in this PDF document is generated from our online catalog. Please find the complete data in the user documentation. Our general terms of use for downloads are valid.



RJ45 sleeve housing, IP20, for pin insert VS-08-ST-RJ45, with push-pull interlocking for panel mounting frames, inverted design, for Factoryline modular managed switches, for cable cross section 5.0 mm ... 6.5 mm

## Commercial data

Item number	1652295
Packing unit	5 pc
Minimum order quantity	1 pc
Sales key	AB10
Product key	ABNAAZ
GTIN	4017918936174
Weight per piece (including packing)	6.1 g
Weight per piece (excluding packing)	5.201 g
Customs tariff number	85389099
Country of origin	DE

# VS-08-T-G-RJ45/IP20 - RJ45 sleeve housing



1652295

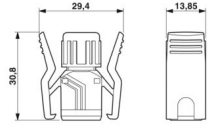
<https://www.phoenixcontact.com/us/products/1652295>

## Technical data

### Product properties

Product type	Bend protection sleeve
Type	RJ45
No. of cable outlets	1
Cable outlet	straight

### Dimensions

Dimensional drawing	
Width	13.8 mm
Height	29.4 mm
Length	31.5 mm

### Material specifications

Color	gray
Flammability rating according to UL 94	V0
Housing material	PA
Material for screw connection	PA

### Cable/line

External cable diameter	5 mm ... 6.5 mm
-------------------------	-----------------

### Mechanical properties

#### Mechanical data

Insertion/withdrawal cycles	≥ 750
-----------------------------	-------

### Environmental and real-life conditions

#### Ambient conditions

Degree of protection	IP20
Ambient temperature (operation)	-40 °C ... 80 °C

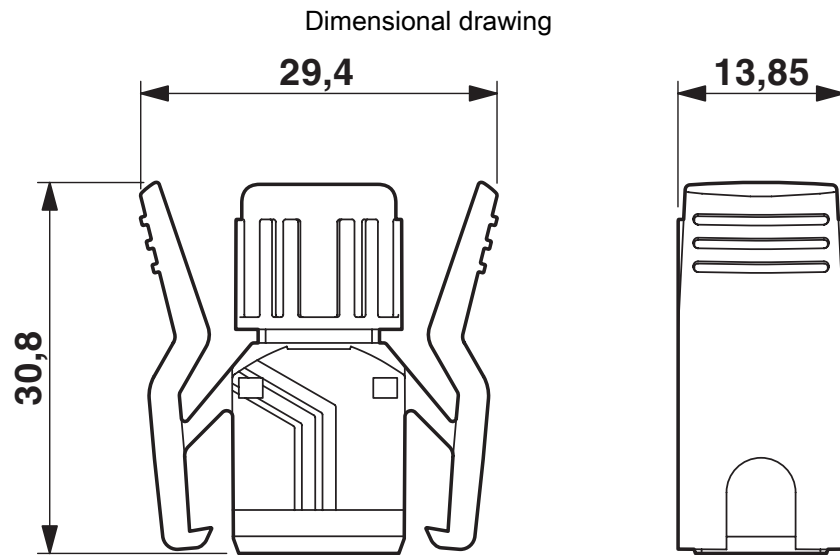
# VS-08-T-G-RJ45/IP20 - RJ45 sleeve housing

1652295

<https://www.phoenixcontact.com/us/products/1652295>



## Drawings



RJ45 sleeve housing, IP20, turned

# VS-08-T-G-RJ45/IP20 - RJ45 sleeve housing



1652295

<https://www.phoenixcontact.com/us/products/1652295>

## Classifications

### ECLASS

ECLASS-15.0	27440212
ECLASS-13.0	27440392

### ETIM

ETIM 10.0	EC001409
-----------	----------

### UNSPSC

UNSPSC 21.0	31261500
-------------	----------

# VS-08-T-G-RJ45/IP20 - RJ45 sleeve housing



1652295

<https://www.phoenixcontact.com/us/products/1652295>

## Environmental product compliance

### EU RoHS

Fulfills EU RoHS substance requirements	Yes, No exemptions
---	--------------------

### China RoHS

Environment friendly use period (EFUP)	EFUP-E
	No hazardous substances above the limits

### EU REACH SVHC

REACH candidate substance (CAS No.)	No substance above 0.1 wt%
-------------------------------------	----------------------------

### EF3.1 Climate Change

CO2e kg	0.057 kg CO2e
---------	---------------

Phoenix Contact 2026 © - all rights reserved  
<https://www.phoenixcontact.com>

Phoenix Contact USA  
586 Fulling Mill Road  
Middletown, PA 17057, United States  
(+717) 944-1300  
[info@phoenixcon.com](mailto:info@phoenixcon.com)