

VS-08-TB-2LL-RJ45/IP65 - Terminal outlet



1652237

<https://www.phoenixcontact.com/us/products/1652237>

Please be informed that the data shown in this PDF document is generated from our online catalog. Please find the complete data in the user documentation. Our general terms of use for downloads are valid.



Terminal outlet, VS-RJ45/IP67, surface mounting, IP65, two slots, LSA connection, CAT5e, for round cable 5 mm ... 13 mm, with filler plug, color: gray

Commercial data

Item number	1652237
Packing unit	1 pc
Note	Made to order (non-returnable)
Sales key	NULL
Product key	ABNMAY
GTIN	4017918929176
Weight per piece (including packing)	613.4 g
Weight per piece (excluding packing)	613.4 g
Customs tariff number	85369010
Country of origin	DE

VS-08-TB-2LL-RJ45/IP65 - Terminal outlet



1652237

<https://www.phoenixcontact.com/us/products/1652237>

Technical data

Product properties

Application	Ethernet
Number of positions	8
No. of cable outlets	2
Number of slots	2
Shielded	yes

Electrical properties

Rated voltage (III/3)	60 V
Rated current	1 A
Transmission characteristics (category)	CAT5 (IEC 11801:2002)

Connection data

Connection method	LSA-PLUS
-------------------	----------

Material specifications

Color	beige RAL 1001
Housing material	Aluminum alloy
Contact material	Copper alloy
Contact surface material	Gold over nickel
Contact carrier material	PBT

Cable/line

Cable type	Round cable
External cable diameter	5 mm ... 13 mm

Mechanical properties

Mechanical data

Insertion/withdrawal cycles	≥ 750
-----------------------------	-------

Environmental and real-life conditions

Ambient conditions

Degree of protection	IP65
Ambient temperature (operation)	-40 °C ... 80 °C

Mounting

Mounting type	Surface/Panel mounting
---------------	------------------------

VS-08-TB-2LL-RJ45/IP65 - Terminal outlet

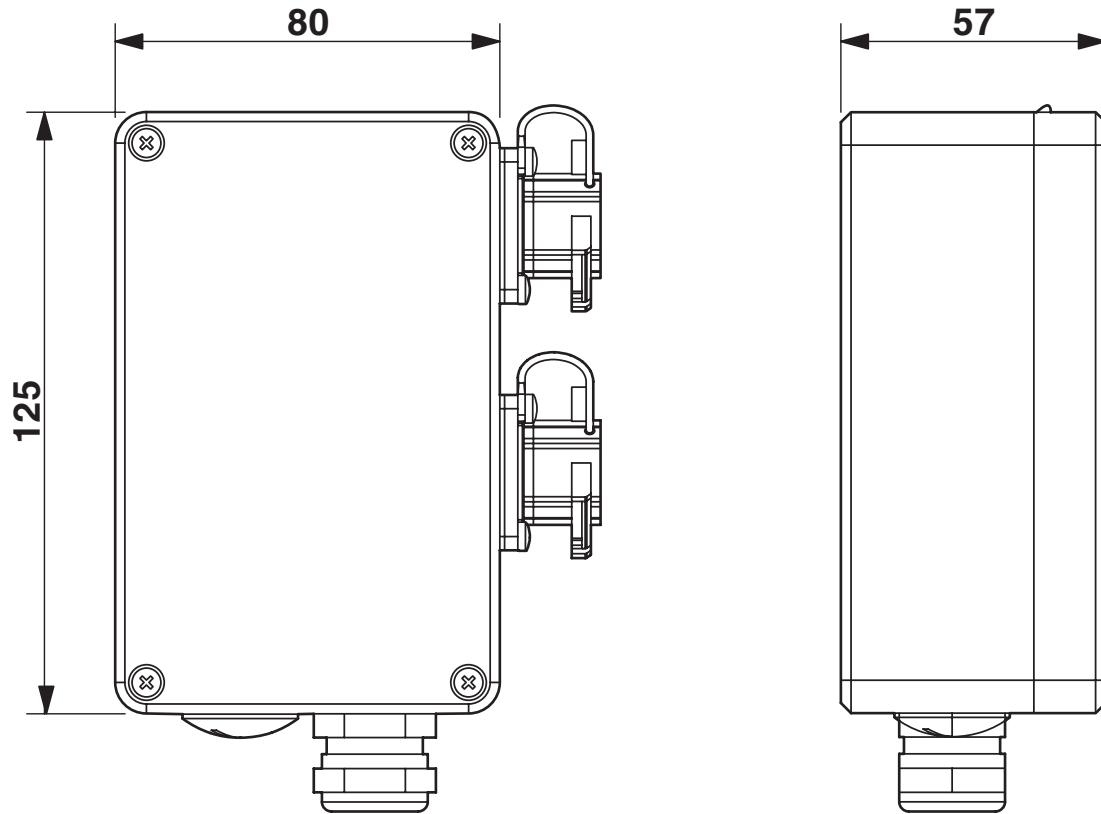


1652237

<https://www.phoenixcontact.com/us/products/1652237>

Drawings

Dimensional drawing



Terminal outlet

VS-08-TB-2LL-RJ45/IP65 - Terminal outlet



1652237

<https://www.phoenixcontact.com/us/products/1652237>

Environmental product compliance

EU REACH SVHC

REACH candidate substance (CAS No.)	No substance above 0.1 wt%
-------------------------------------	----------------------------

Phoenix Contact 2026 © - all rights reserved

<https://www.phoenixcontact.com>

Phoenix Contact USA
586 Fulling Mill Road
Middletown, PA 17057, United States
(+717) 944-1300
info@phoenixcon.com