

# VS-25-SET-STD - D-SUB connector set

1652198

<https://www.phoenixcontact.com/us/products/1652198>

Please be informed that the data shown in this PDF document is generated from our online catalog. Please find the complete data in the user documentation. Our general terms of use for downloads are valid.

D-SUB connector set, shell size 3, unshielded



The figure shows the product version VS-09-SET-STD

## Commercial data

|                                      |               |
|--------------------------------------|---------------|
| Item number                          | 1652198       |
| Packing unit                         | 1 pc          |
| Minimum order quantity               | 1 pc          |
| Sales key                            | AB19          |
| Product key                          | ABNCBA        |
| GTIN                                 | 4017918917135 |
| Weight per piece (including packing) | 69.2 g        |
| Weight per piece (excluding packing) | 69.2 g        |
| Customs tariff number                | 85366990      |
| Country of origin                    | DE            |

## Technical data

### Notes

#### Safety note

|                    |  |
|--------------------|--|
| <p>Safety note</p> | <p>WARNING: The connectors may not be plugged in or disconnected under load. Ignoring the warning or improper use may damage persons and/or property.</p> <ul style="list-style-type: none"> <li>• WARNING: Commission properly functioning products only. The products must be regularly inspected for damage. Decommission defective products immediately. Replace damaged products. Repairs are not possible.</li> <li>• WARNING: Only electrically qualified personnel may install and operate the product. They must observe the following safety notes. The qualified personnel must be familiar with the basics of electrical engineering. They must be able to recognize and prevent danger. The relevant symbol on the packaging indicates that only personnel familiar with electrical engineering are allowed to install and operate the product.</li> <li>• The products are suitable for applications in plant, controller, and electrical device engineering.</li> <li>• When operating the connectors in outdoor applications, they must be separately protected against environmental influences.</li> <li>• Assembled products may not be manipulated or improperly opened.</li> <li>• Only use mating connectors that are specified in the technical data of the standards listed (e.g. the ones listed in the product accessories online at <a href="https://www.phoenixcontact.com/products">phoenixcontact.com/products</a>).</li> <li>• When using the product in direct connection with third-party manufacturers, the user is responsible.</li> <li>• For operating voltages &gt; 50 V AC, conductive connector housings must be grounded</li> <li>• Only use tools recommended by Phoenix Contact</li> <li>• The installation notes/Design In documents online on the download page at <a href="https://www.phoenixcontact.com/products">phoenixcontact.com/products</a> must be observed for this product.</li> <li>• Use a protective cap to protect connectors that are not in use. The suitable accessories are available online in the accessory section of the product at <a href="https://www.phoenixcontact.com/products">phoenixcontact.com/products</a></li> <li>• Operate the connector only when it is fully plugged in and interlocked.</li> <li>• Operate the connector only when it is fully plugged in.</li> <li>• Ensure that when laying the cable, the tensile load on the connectors does not exceed the upper limit specified in the standards.</li> <li>• Observe the minimum bending radius of the cable. Lay the cable without twisting it.</li> <li>• VDE 0100/1.97 § 411.1.3.2 and DIN EN 60 204/11.98 § 14.1.3 are applicable when combining several circuits in a cable and/or connector</li> </ul> |
|--------------------|--|

### Product properties

# VS-25-SET-STD - D-SUB connector set



1652198

<https://www.phoenixcontact.com/us/products/1652198>

|                      |                             |
|----------------------|-----------------------------|
| Product type         | Data connector (cable side) |
| Application          | Housing set                 |
| Type                 | D-SUB                       |
| Number of positions  | 25                          |
| No. of cable outlets | 2                           |
| Shielded             | no                          |
| Cable outlet         | slanted                     |

## Insulation characteristics

|                     |   |
|---------------------|---|
| Degree of pollution | 2 |
|---------------------|---|

## Electrical properties

|                     |        |
|---------------------|--------|
| Transmission medium | Copper |
|---------------------|--------|

## Interfaces

|                      |           |
|----------------------|-----------|
| Signal type/category | Universal |
|----------------------|-----------|

## Material specifications

|  |  |
|--|--|
| Color                                  | gray                                   |
| Flammability rating according to UL 94 | V0                                     |
| Seal material                          | Flat gasket: NBR; profile gasket: EPDM |
| Housing material                       | Plastic                                |
| Cable seal material                    | CR/NBR                                 |

## Cable/line

|                         |               |
|-------------------------|---------------|
| Cable type              | Round cable   |
| Signal type/category    | Universal     |
| External cable diameter | 3 mm ... 9 mm |

## Environmental and real-life conditions

### Ambient conditions

|                                 |                  |
|---------------------------------|------------------|
| Degree of protection            | IP67             |
| Ambient temperature (operation) | -40 °C ... 80 °C |

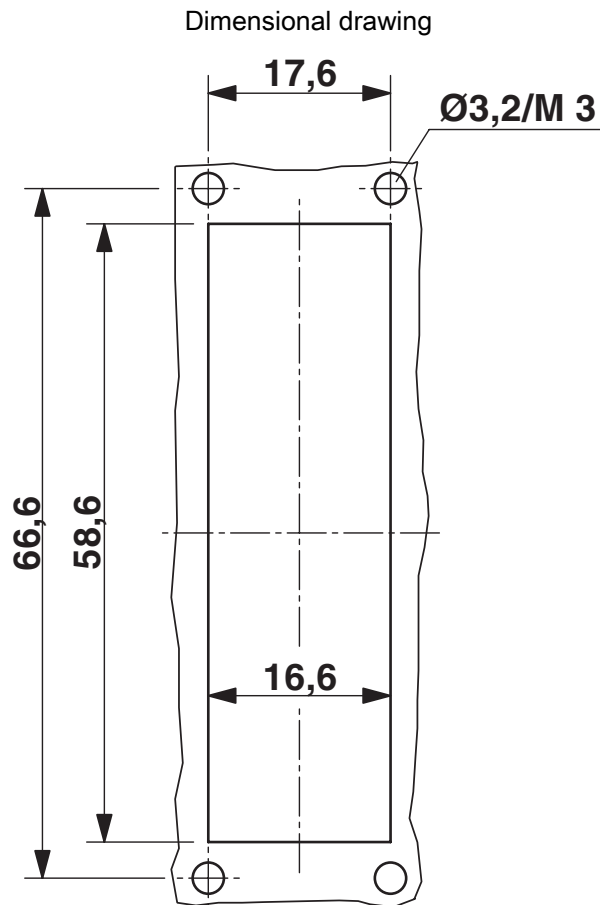
# VS-25-SET-STD - D-SUB connector set

1652198

<https://www.phoenixcontact.com/us/products/1652198>



## Drawings



Mounting cutout

# VS-25-SET-STD - D-SUB connector set



1652198

<https://www.phoenixcontact.com/us/products/1652198>

## Classifications

### ECLASS

|             |          |
|-------------|----------|
| ECLASS-13.0 | 27440290 |
| ECLASS-15.0 | 27440324 |

### ETIM

|           |          |
|-----------|----------|
| ETIM 10.0 | EC001132 |
|-----------|----------|

### UNSPSC

|             |          |
|-------------|----------|
| UNSPSC 21.0 | 39121400 |
|-------------|----------|

# VS-25-SET-STD - D-SUB connector set



1652198

<https://www.phoenixcontact.com/us/products/1652198>

## Environmental product compliance

### EU RoHS

|   |                    |
|---|--------------------|
| Fulfills EU RoHS substance requirements | Yes, No exemptions |
|---|--------------------|

### China RoHS

|  |  |
|--|--|
| Environment friendly use period (EFUP) | EFUP-E                                   |
|  | No hazardous substances above the limits |

### EU REACH SVHC

|                                     |   |
|-------------------------------------|---|
| REACH candidate substance (CAS No.) | 6,6'-di-tert-butyl-2,2'-methylenedi-p-cresol(CAS: 119-47-1) |
| SCIP                                | 45314d98-c1b9-4203-a602-40484c0695da                        |

### EF3.1 Climate Change

|         |              |
|---------|--------------|
| CO2e kg | 0.58 kg CO2e |
|---------|--------------|

Phoenix Contact 2026 © - all rights reserved

<https://www.phoenixcontact.com>

Phoenix Contact USA  
586 Fulling Mill Road  
Middletown, PA 17057, United States  
(+717) 944-1300  
[info@phoenixcon.com](mailto:info@phoenixcon.com)