

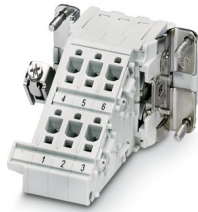
HC-B 6-A-DT-PER-F - Terminal adapter



1648377

<https://www.phoenixcontact.com/us/products/1648377>

Please be informed that the data shown in this PDF document is generated from our online catalog. Please find the complete data in the user documentation. Our general terms of use for downloads are valid.



HEAVYCON terminal adapter socket insert, B6 series, 6-pos., for the right side of the control cabinet, push-in connection

Your advantages

- Easy installation without tools, even when mounted, with push-in connection technology
- Shortest installation time compared to other connection technologies
- Quick and effortless wiring, in particular when space is tight
- Automatic cabling with robots possible
- Safe wiring and operation with color-coded actuators
- Shock and vibration-resistant in accordance with DIN EN 61373

Commercial data

| | |
|--------------------------------------|---------------|
| Item number | 1648377 |
| Packing unit | 5 pc |
| Minimum order quantity | 5 pc |
| Sales key | BF61 |
| Product key | AF7ADC |
| GTIN | 4046356092098 |
| Weight per piece (including packing) | 73.86 g |
| Weight per piece (excluding packing) | 73.35 g |
| Customs tariff number | 85366990 |
| Country of origin | CN |

HC-B 6-A-DT-PER-F - Terminal adapter

1648377

<https://www.phoenixcontact.com/us/products/1648377>

Technical data

Product properties

| | |
|---------------------|------------------|
| Product type | Terminal adapter |
| Product family | HC-B |
| Series | HC-B |
| Type | B6 |
| Number of positions | 6 |
| Connection profile | 6+PE |
| Contact numbering | 1 - 6 |

Insulation characteristics

| | |
|----------------------|-----|
| Overvoltage category | III |
| Degree of pollution | 3 |

Electrical properties

| | |
|-----------------------|----------------|
| Rated voltage (III/3) | 500 V |
| Rated surge voltage | 6 kV |
| Rated current | 16 A |
| SCCR | 5 kA (UL 2237) |

Connection data

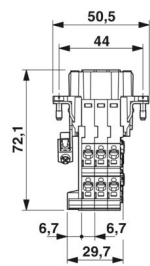
Connection technology

| | |
|-----------------------|--------------------|
| Connection technology | Push-in connection |
|-----------------------|--------------------|

Conductor connection

| | |
|---|---|
| Conductor cross-section | 0.5 mm ² ... 2.5 mm ² |
| Connection cross section AWG | 20 ... 12 |
| Stripping length of the individual wire | 10 mm (13 mm with ferrule) |

Dimensions

| | |
|---------------------------------|--|
| Dimensional drawing |  |
| Width | 34 mm |
| Height | 72.1 mm |
| Length | 50.5 mm |
| Drill hole distance, horizontal | 44 mm |
| Drill hole distance, vertical | 27 mm |

HC-B 6-A-DT-PER-F - Terminal adapter



1648377

<https://www.phoenixcontact.com/us/products/1648377>

Material specifications

| | |
|--|--------------|
| Flammability rating according to UL 94 | V0 |
| Contact material | Copper alloy |
| Contact surface material | Ag |
| Contact carrier material | PA |
| Standards/regulations | PA |

Cable/line

| | |
|---|----------------------------|
| Stripping length of the individual wire | 10 mm (13 mm with ferrule) |
|---|----------------------------|

Mechanical properties

Mechanical data

| | |
|-----------------------------|-------|
| Insertion/withdrawal cycles | ≥ 500 |
|-----------------------------|-------|

Environmental and real-life conditions

Ambient conditions

| | |
|---------------------------------|-------------------|
| Degree of protection | IP20 |
| Ambient temperature (operation) | -40 °C ... 125 °C |

Standards and regulations

| | |
|--|--------------|
| Constructional and testing regulations | DIN EN 61984 |
| | DIN EN 60664 |
| | IEC 60352 |
| Tests | DIN EN 61984 |
| | DIN EN 60664 |
| | IEC 60352 |

Testing

| | |
|-----------------------|---|
| Standards/regulations | PA: Fire protection in rail vehicles - requirement sets R22, R23, and R24 acc. to DIN EN 45545-2 (Risk level HL1 - HL3) |
|-----------------------|---|

Mounting

| | |
|---------------|---|
| Assembly note | To ensure correct use, installation in housing with IP54 protection or better is required |
| | Connectors may be plugged in only when there is no load/voltage. |

HC-B 6-A-DT-PER-F - Terminal adapter

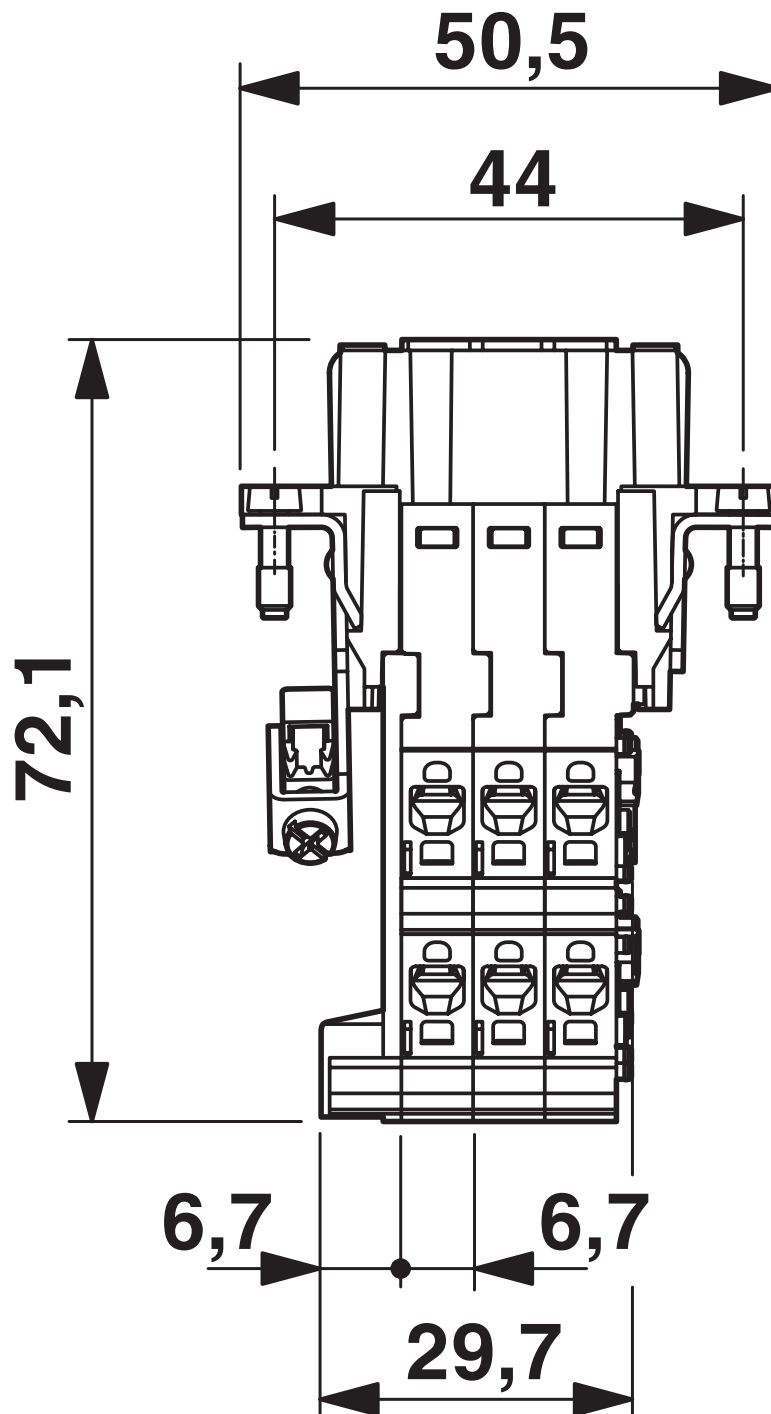


1648377

<https://www.phoenixcontact.com/us/products/1648377>

Drawings

Dimensional drawing



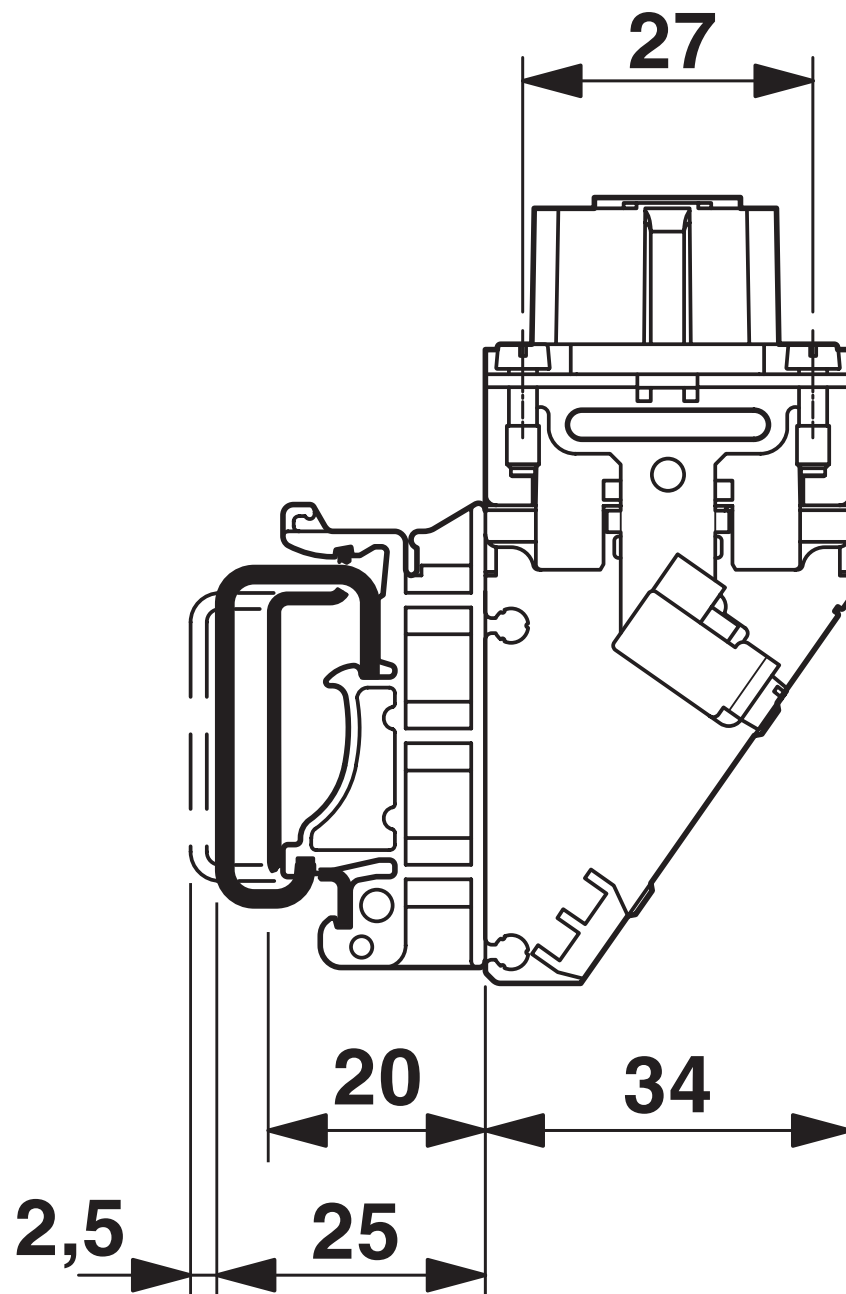
Dimensional drawing

HC-B 6-A-DT-PER-F - Terminal adapter

1648377

<https://www.phoenixcontact.com/us/products/1648377>

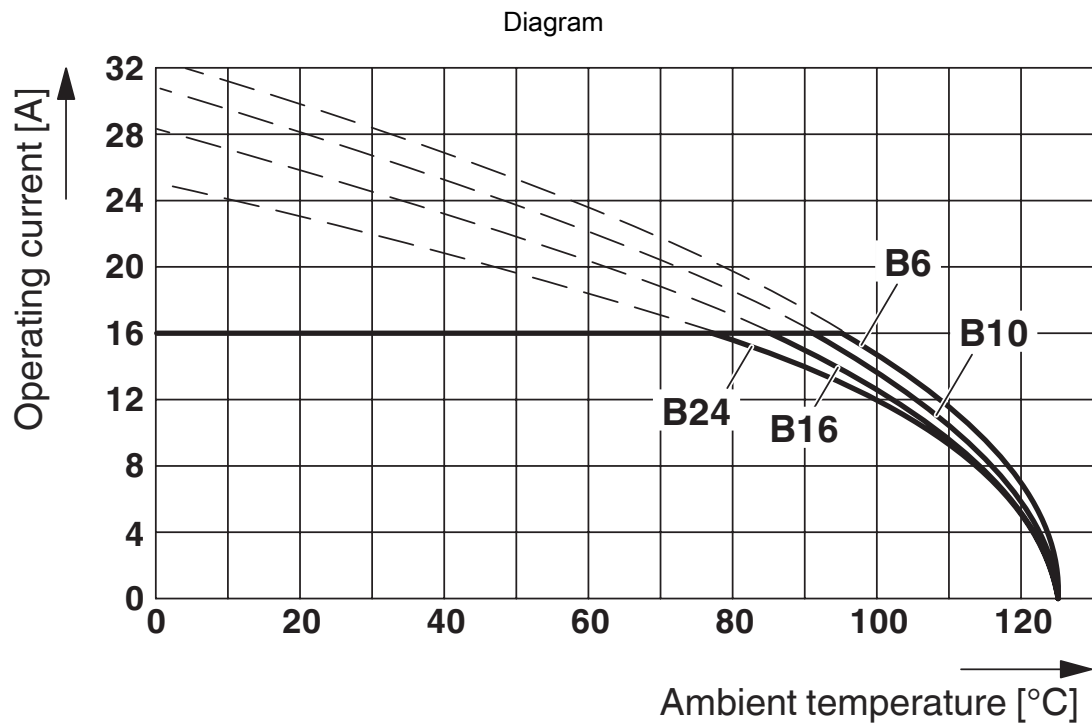
Dimensional drawing



Dimensional drawing, side view

1648377

<https://www.phoenixcontact.com/us/products/1648377>



Derating diagram,
conductor cross-section: 2.5 mm²

HC-B 6-A-DT-PER-F - Terminal adapter




1648377

<https://www.phoenixcontact.com/us/products/1648377>

Approvals

To download certificates, visit the product detail page: <https://www.phoenixcontact.com/us/products/1648377>

|  CSA Approval ID: 013631_6233_01 | | | | |
|---|-----------------------|-----------------------|-------------------|-----------------------------|
| | Nominal voltage U_N | Nominal current I_N | Cross section AWG | Cross section mm^2 |
| keine | | | | |
| | 600 V | 13 A | 22 - 14 | - |

|  cUL Recognized Approval ID: E118976 | | | | |
|---|-----------------------|-----------------------|-------------------|-----------------------------|
| | Nominal voltage U_N | Nominal current I_N | Cross section AWG | Cross section mm^2 |
| keine | | | | |
| | 600 V | 13 A | 22 - 14 | - |

|  UL Recognized Approval ID: E118976 | | | | |
|--|-----------------------|-----------------------|-------------------|-----------------------------|
| | Nominal voltage U_N | Nominal current I_N | Cross section AWG | Cross section mm^2 |
| keine | | | | |
| | 600 V | 13 A | 22 - 14 | - |

|  cULus Recognized Approval ID: E468743 | | | | |
|---|-----------------------|-----------------------|-------------------|-----------------------------|
| | Nominal voltage U_N | Nominal current I_N | Cross section AWG | Cross section mm^2 |
| keine | | | | |
| | 600 V | 13 A | - 14 | - |

HC-B 6-A-DT-PER-F - Terminal adapter



1648377

<https://www.phoenixcontact.com/us/products/1648377>

Classifications

ECLASS

| | |
|-------------|----------|
| ECLASS-13.0 | 27440222 |
| ECLASS-15.0 | 27440222 |

ETIM

| | |
|-----------|----------|
| ETIM 10.0 | EC000438 |
|-----------|----------|

UNSPSC

| | |
|-------------|----------|
| UNSPSC 21.0 | 39121500 |
|-------------|----------|

HC-B 6-A-DT-PER-F - Terminal adapter



1648377

<https://www.phoenixcontact.com/us/products/1648377>

Environmental product compliance

EU RoHS

| | |
|---|--------------------|
| Fulfills EU RoHS substance requirements | Yes, No exemptions |
|---|--------------------|

China RoHS

| | |
|--|--|
| Environment friendly use period (EFUP) | EFUP-E |
| | No hazardous substances above the limits |

EU REACH SVHC

| | |
|-------------------------------------|----------------------------|
| REACH candidate substance (CAS No.) | No substance above 0.1 wt% |
|-------------------------------------|----------------------------|

Phoenix Contact 2026 © - all rights reserved
<https://www.phoenixcontact.com>

Phoenix Contact USA
586 Fulling Mill Road
Middletown, PA 17057, United States
(+717) 944-1300
info@phoenixcon.com