

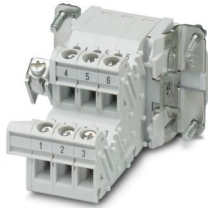
# HC-B 6-A-UT-PER-F - Terminal adapter



1648066

<https://www.phoenixcontact.com/us/products/1648066>

Please be informed that the data shown in this PDF document is generated from our online catalog. Please find the complete data in the user documentation. Our general terms of use for downloads are valid.



HEAVYCON terminal adapter socket insert, B6 series, 6-pos., for the right side of the control cabinet, screw connection.

## Commercial data

Item number	1648066
Packing unit	5 pc
Minimum order quantity	5 pc
Sales key	BF61
Product key	AF7ADC
GTIN	4017918969691
Weight per piece (including packing)	83.78 g
Weight per piece (excluding packing)	83.78 g
Customs tariff number	85366990
Country of origin	CN

# HC-B 6-A-UT-PER-F - Terminal adapter



1648066

<https://www.phoenixcontact.com/us/products/1648066>

## Technical data

### Product properties

Product type	Terminal adapter
Product family	HC-B
Series	HC-B
Type	B6
Number of positions	6
Connection profile	6+PE
Contact numbering	1 - 6
Screwdriver blade	0.5 x 3.5 mm

### Insulation characteristics

Overvoltage category	III
Degree of pollution	3

### Electrical properties

Rated voltage (III/3)	500 V
Rated surge voltage	6 kV
Rated current	16 A
SCCR	5 kA (UL 2237)

### Connection data

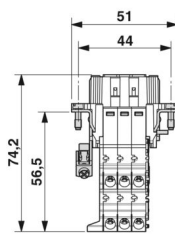
#### Connection technology

Connection technology	Screw connection
Connection in acc. with standard	IEC / EN

#### Conductor connection

Conductor cross-section	0.5 mm <sup>2</sup> ... 2.5 mm <sup>2</sup>
Connection cross section AWG	20 ... 14
Tightening torque	0.5 Nm ... 0.8 Nm
Stripping length of the individual wire	12 mm

### Dimensions

Dimensional drawing	
Width	34 mm
Height	74.2 mm

# HC-B 6-A-UT-PER-F - Terminal adapter



1648066

<https://www.phoenixcontact.com/us/products/1648066>

Length	51 mm
Drill hole distance, horizontal	44 mm
Drill hole distance, vertical	27 mm

## Material specifications

Flammability rating according to UL 94	V0
Contact material	Copper alloy
Contact surface material	Ag
Contact carrier material	PA
Standards/regulations	PA

## Cable/line

Stripping length of the individual wire	12 mm
---	-------

## Mechanical properties

### Mechanical data

Insertion/withdrawal cycles	≥ 500
-----------------------------	-------

## Environmental and real-life conditions

### Ambient conditions

Ambient temperature (operation)	-40 °C ... 125 °C
---------------------------------	-------------------

## Standards and regulations

Constructional and testing regulations	DIN EN 61984
	DIN EN 60664
	IEC 60352
Tests	DIN EN 61984
	DIN EN 60664
	IEC 60352

### Testing

Standards/regulations	PA: Fire protection in rail vehicles - requirement sets R22, R23, and R24 acc. to DIN EN 45545-2 (Risk level HL1 - HL3)
-----------------------	---

## Mounting

Assembly note	To ensure correct use, installation in housing with IP54 protection or better is required
	Connectors may only be actuated when there is no load/voltage.

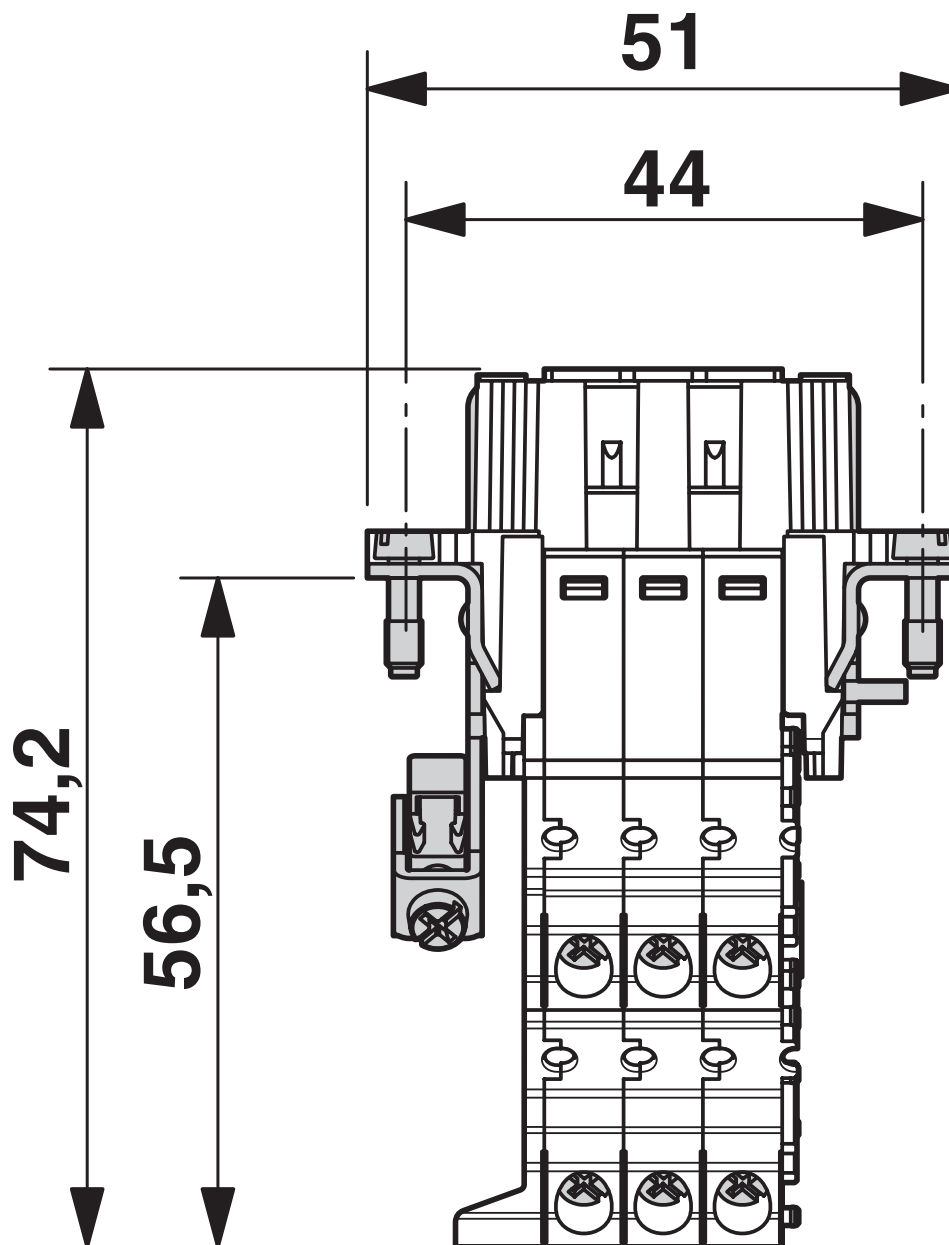
# HC-B 6-A-UT-PER-F - Terminal adapter

1648066

<https://www.phoenixcontact.com/us/products/1648066>

## Drawings

Dimensional drawing



Connection side

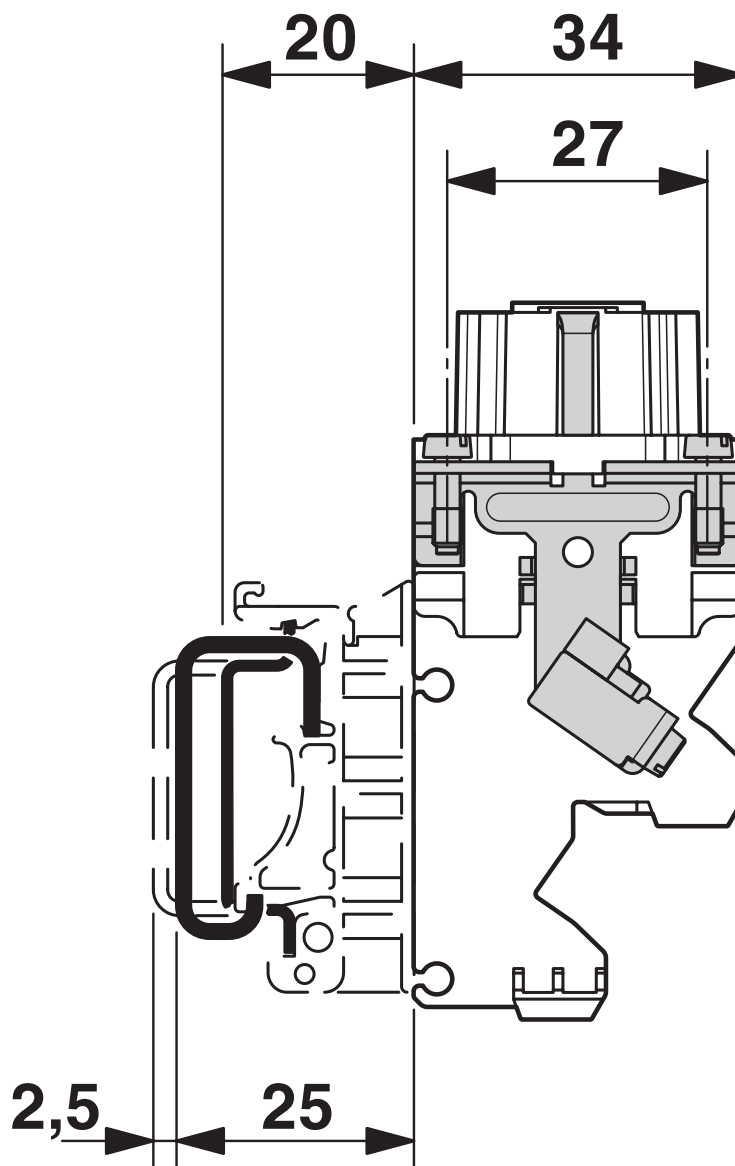
# HC-B 6-A-UT-PER-F - Terminal adapter

1648066

<https://www.phoenixcontact.com/us/products/1648066>



Dimensional drawing



Side view

# HC-B 6-A-UT-PER-F - Terminal adapter

1648066

<https://www.phoenixcontact.com/us/products/1648066>

Application drawing



Mounting position PE connection left/right (PEL/PER)

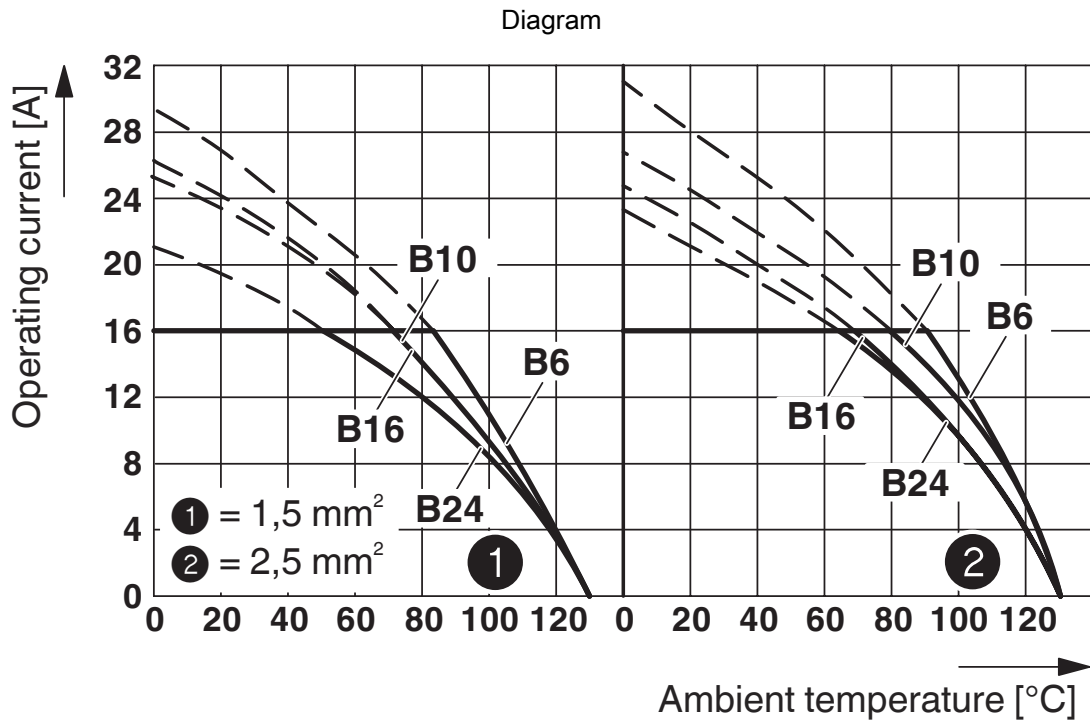
Schematic diagram



Coding options

1648066

<https://www.phoenixcontact.com/us/products/1648066>



Derating diagram

# HC-B 6-A-UT-PER-F - Terminal adapter




1648066

<https://www.phoenixcontact.com/us/products/1648066>

## Approvals

To download certificates, visit the product detail page: <https://www.phoenixcontact.com/us/products/1648066>

 <b>CSA</b> Approval ID: 013631_6233_01				
	Nominal voltage $U_N$	Nominal current $I_N$	Cross section AWG	Cross section $\text{mm}^2$
keine				
	600 V	13 A	22 - 14	-

 <b>cUL Recognized</b> Approval ID: E118976				
	Nominal voltage $U_N$	Nominal current $I_N$	Cross section AWG	Cross section $\text{mm}^2$
keine				
	600 V	13 A	22 - 14	-

 <b>UL Recognized</b> Approval ID: E118976				
	Nominal voltage $U_N$	Nominal current $I_N$	Cross section AWG	Cross section $\text{mm}^2$
keine				
	600 V	13 A	22 - 14	-

 <b>cULus Recognized</b> Approval ID: E468743				
	Nominal voltage $U_N$	Nominal current $I_N$	Cross section AWG	Cross section $\text{mm}^2$
keine				
	600 V	14 A	- 14	-

# HC-B 6-A-UT-PER-F - Terminal adapter



1648066

<https://www.phoenixcontact.com/us/products/1648066>

## Classifications

### ECLASS

ECLASS-13.0	27440222
ECLASS-15.0	27440222

### ETIM

ETIM 10.0	EC000438
-----------	----------

### UNSPSC

UNSPSC 21.0	39121500
-------------	----------

# HC-B 6-A-UT-PER-F - Terminal adapter



1648066

<https://www.phoenixcontact.com/us/products/1648066>

## Environmental product compliance

### EU RoHS

Fulfills EU RoHS substance requirements	Yes
Exemption	6(c)

### China RoHS

Environment friendly use period (EFUP)	EFUP-50
	An article-related China RoHS declaration table can be found in the download area for the respective article under "Manufacturer declaration". For all articles with EFUP-E, no China RoHS declaration table issued and required.

### EU REACH SVHC

REACH candidate substance (CAS No.)	No substance above 0.1 wt%
-------------------------------------	----------------------------

Phoenix Contact 2026 © - all rights reserved  
<https://www.phoenixcontact.com>

Phoenix Contact USA  
586 Fulling Mill Road  
Middletown, PA 17057, United States  
(+717) 944-1300  
[info@phoenixcon.com](mailto:info@phoenixcon.com)