

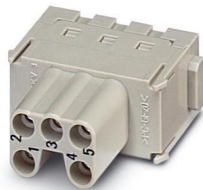
HC-M-05-MOD-BUZ - Contact insert module



1647721

<https://www.phoenixcontact.com/us/products/1647721>

Please be informed that the data shown in this PDF document is generated from our online catalog. Please find the complete data in the user documentation. Our general terms of use for downloads are valid.



HEAVYCON contact insert module, female, 5-pos., spring-cage connection

Commercial data

Item number	1647721
Packing unit	1 pc
Note	Made to order (non-returnable)
Sales key	BF62
Product key	AF7ACB
GTIN	4017918969561
Weight per piece (including packing)	17.795 g
Weight per piece (excluding packing)	16.15 g
Customs tariff number	85366990
Country of origin	DE

HC-M-05-MOD-BUZ - Contact insert module



1647721

<https://www.phoenixcontact.com/us/products/1647721>

Technical data

Mounting

Assembly note	Housing height \geq 52 mm. Plug-in connections may only be operated only when there is no load/voltage.
---------------	--------------------------------------------------------------------------------------------------------------

Product properties

Product type	Modular contact insert
Series	HC-M-05
Application	Power
Number of positions	5
Connection profile	5
Contact numbering	1 - 5
Number of module slots	1

Insulation characteristics

Overvoltage category	III
Degree of pollution	3

Connection data

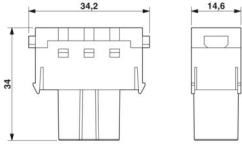
Connection technology

Connection technology	Spring-cage connection
-----------------------	------------------------

Conductor connection

Conductor cross-section	0.14 mm ² ... 1.5 mm ² (with ferrule)
	0.14 mm ² ... 2.5 mm ² (without ferrule)
Connection cross section AWG	26 ... 16 (with ferrule)
	26 ... 14 (with ferrule)
Stripping length of the individual wire	8 mm \pm 1 mm

Dimensions

Dimensional drawing	
Width	34.2 mm
Height	34 mm
Length	14.6 mm

Mechanical characteristics

Minimum housing height	52 mm
------------------------	-------

Electrical properties

HC-M-05-MOD-BUZ - Contact insert module



1647721

<https://www.phoenixcontact.com/us/products/1647721>

Rated voltage (III/3)	400 V
Rated surge voltage	6 kV
Rated current	16 A

Mechanical properties

Mechanical data

Insertion/withdrawal cycles	≥ 500
-----------------------------	-------

Material specifications

Flammability rating according to UL 94	V0
Contact material	Copper alloy
Contact surface material	Ag
Contact carrier material	PC

Environmental and real-life conditions

Ambient conditions

Ambient temperature (operation)	-40 °C ... 125 °C
---------------------------------	-------------------

HC-M-05-MOD-BUZ - Contact insert module

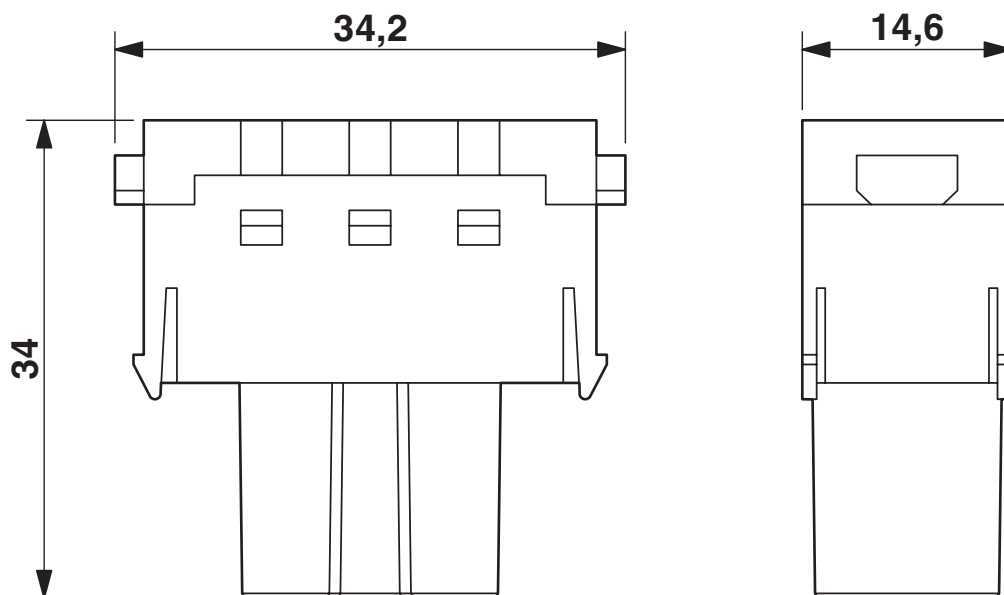


1647721

<https://www.phoenixcontact.com/us/products/1647721>

Drawings

Dimensional drawing



Female insert

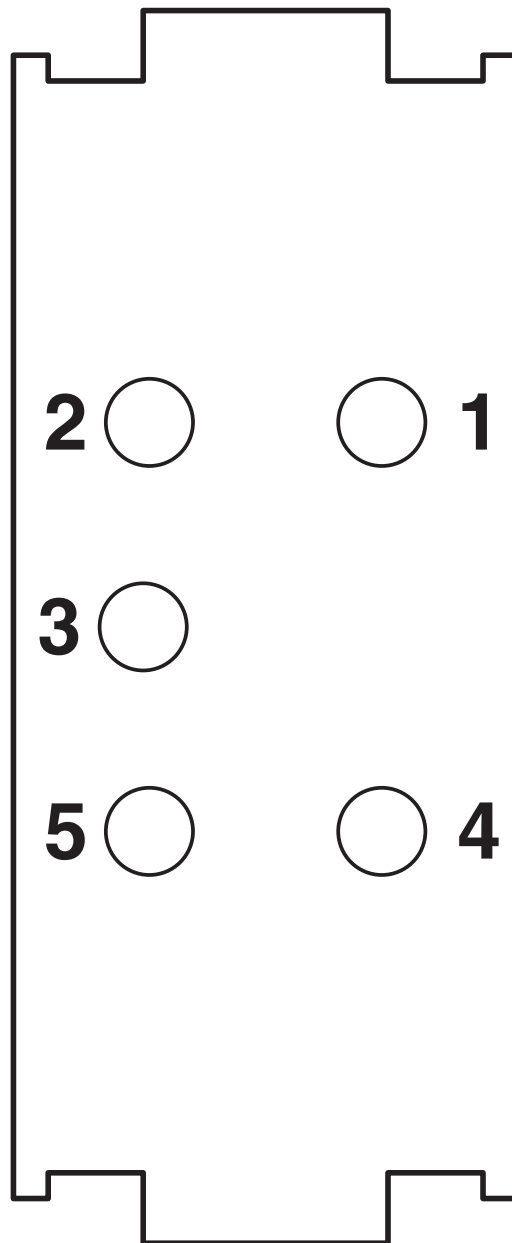
HC-M-05-MOD-BUZ - Contact insert module



1647721

<https://www.phoenixcontact.com/us/products/1647721>

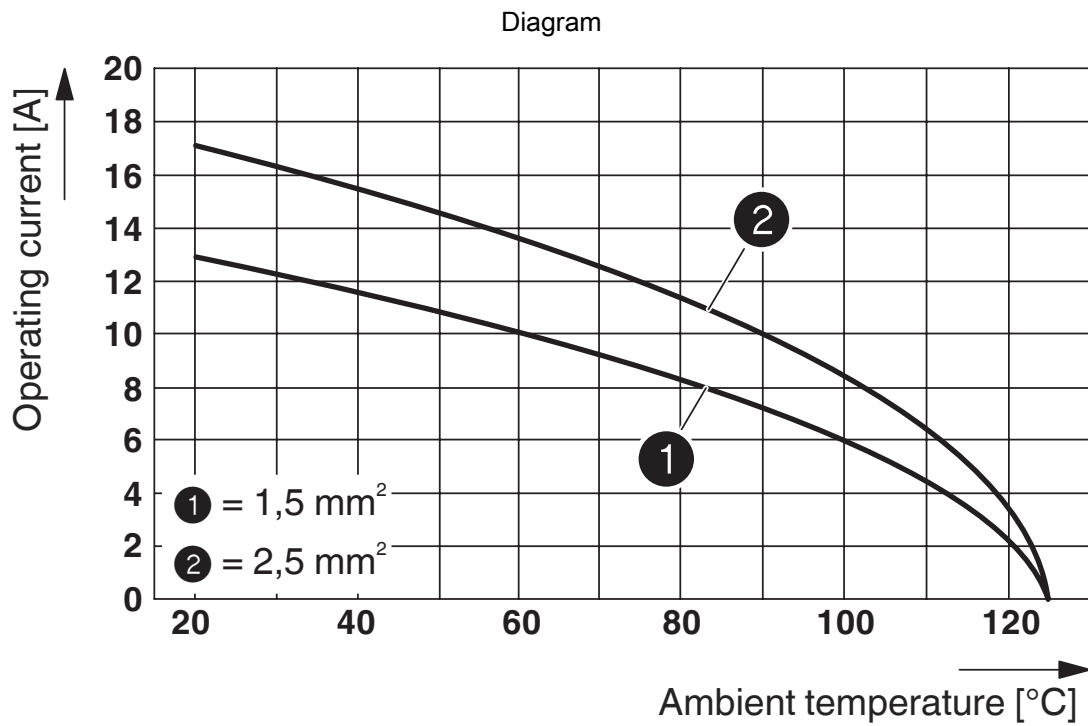
Schematic diagram



Connector pin assignment, connection side

1647721

<https://www.phoenixcontact.com/us/products/1647721>



Derating diagram (6 modules in HC-B 24 housing)

HC-M-05-MOD-BUZ - Contact insert module



1647721

<https://www.phoenixcontact.com/us/products/1647721>

Environmental product compliance

China RoHS

Environment friendly use period (EFUP)	EFUP-E
	No hazardous substances above the limits

EU REACH SVHC

REACH candidate substance (CAS No.)	No substance above 0.1 wt%
-------------------------------------	----------------------------

Phoenix Contact 2026 © - all rights reserved
<https://www.phoenixcontact.com>

Phoenix Contact USA
586 Fulling Mill Road
Middletown, PA 17057, United States
(+717) 944-1300
info@phoenixcon.com