

# ENLAR-M-KV-M32/M40 - Extension adapter



1647682

<https://www.phoenixcontact.com/us/products/1647682>

Please be informed that the data shown in this PDF document is generated from our online catalog. Please find the complete data in the user documentation. Our general terms of use for downloads are valid.

Extension adapter, connecting thread: M32 x 1.5, color: silver-colored, with O-ring



## Product description

Extended from M32 to M40

## Commercial data

Item number	1647682
Packing unit	10 pc
Minimum order quantity	10 pc
Sales key	BF68
Product key	AF7DZX
GTIN	4017918947095
Weight per piece (including packing)	46 g
Weight per piece (excluding packing)	43 g
Customs tariff number	74198090
Country of origin	DE

# ENLAR-M-KV-M32/M40 - Extension adapter



1647682

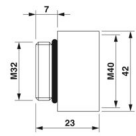
<https://www.phoenixcontact.com/us/products/1647682>

## Technical data

### Product properties

Product type	Extension adapter
--------------	-------------------

### Dimensions

Dimensional drawing	
Length	23 mm
Length of the connecting thread	7 mm
Length without connecting thread	16 mm
Diameter Connecting thread	32 mm
Connecting thread diameter	32 mm
Hexagon angular dimension	42 mm
Thread type connection side	M32 x 1.5
Thread pitch	1.5 mm
Thread type on seal side	M40

### Material specifications

Material	Brass, nickel-plated
Seal material O-ring	NBR

### Cable/line

External cable diameter	26 mm
Halogen-free	no

### Environmental and real-life conditions

#### Ambient conditions

Degree of protection	IP65 (Depends on the screw connection used)
Ambient temperature (operation)	-20 °C ... 80 °C

### Mounting

Assembly note	With corresponding screw connection: IP68
---------------	---

# ENLAR-M-KV-M32/M40 - Extension adapter

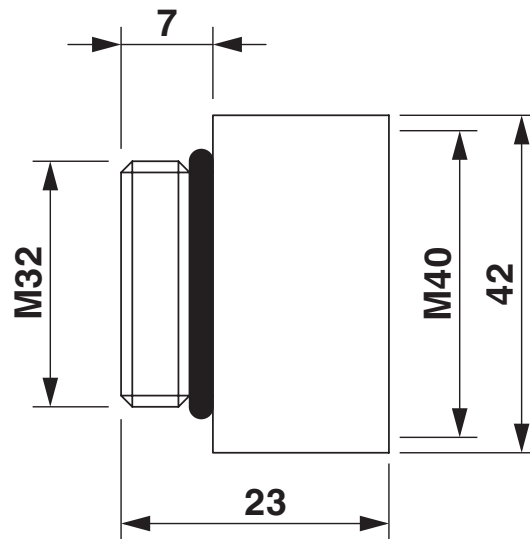


1647682

<https://www.phoenixcontact.com/us/products/1647682>

## Drawings

Dimensional drawing



# ENLAR-M-KV-M32/M40 - Extension adapter



1647682

<https://www.phoenixcontact.com/us/products/1647682>

## Classifications

### ECLASS

ECLASS-13.0	27140806
ECLASS-15.0	27140806

### ETIM

ETIM 10.0	EC000938
-----------	----------

### UNSPSC

UNSPSC 21.0	31163000
-------------	----------

# ENLAR-M-KV-M32/M40 - Extension adapter



1647682

<https://www.phoenixcontact.com/us/products/1647682>

## Environmental product compliance

### EU RoHS

Fulfills EU RoHS substance requirements	Yes
Exemption	6(c)

### China RoHS

Environment friendly use period (EFUP)	EFUP-50
	An article-related China RoHS declaration table can be found in the download area for the respective article under "Manufacturer declaration". For all articles with EFUP-E, no China RoHS declaration table issued and required.

### EU REACH SVHC

REACH candidate substance (CAS No.)	Lead(CAS: 7439-92-1)
SCIP	e7c41d29-3a69-45be-a990-7ec4f04ffb56

### EF3.1 Climate Change

CO2e kg	0.58 kg CO2e
---------	--------------

Phoenix Contact 2026 © - all rights reserved  
<https://www.phoenixcontact.com>

Phoenix Contact USA  
586 Fulling Mill Road  
Middletown, PA 17057, United States  
(+717) 944-1300  
[info@phoenixcon.com](mailto:info@phoenixcon.com)