

ENLAR-M-KV-M16/M20 - Extension adapter



1647653

<https://www.phoenixcontact.com/us/products/1647653>

Please be informed that the data shown in this PDF document is generated from our online catalog. Please find the complete data in the user documentation. Our general terms of use for downloads are valid.

Extension adapter, connecting thread: M16 x 1.5, color: silver-colored, with O-ring



Product description

Extended from M16 to M20

Commercial data

Item number	1647653
Packing unit	10 pc
Minimum order quantity	10 pc
Sales key	BF68
Product key	AF7DZX
GTIN	4017918947101
Weight per piece (including packing)	13.1 g
Weight per piece (excluding packing)	13 g
Customs tariff number	74198090
Country of origin	DE

ENLAR-M-KV-M16/M20 - Extension adapter



1647653

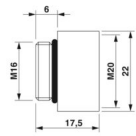
<https://www.phoenixcontact.com/us/products/1647653>

Technical data

Product properties

Product type	Extension adapter
--------------	-------------------

Dimensions

Dimensional drawing	
Length	17.5 mm
Length of the connecting thread	6 mm
Length without connecting thread	11.5 mm
Diameter Connecting thread	16 mm
Connecting thread diameter	16 mm
Hexagon angular dimension	22 mm
Thread type connection side	M16 x 1.5
Thread pitch	1.5 mm
Thread type on seal side	M20

Material specifications

Material	Brass, nickel-plated
Seal material O-ring	NBR

Cable/line

External cable diameter	12 mm
Halogen-free	no

Environmental and real-life conditions

Ambient conditions

Degree of protection	IP65 (Depends on the screw connection used)
Ambient temperature (operation)	-20 °C ... 80 °C

Mounting

Assembly note	With corresponding screw connection: IP68
---------------	---

ENLAR-M-KV-M16/M20 - Extension adapter

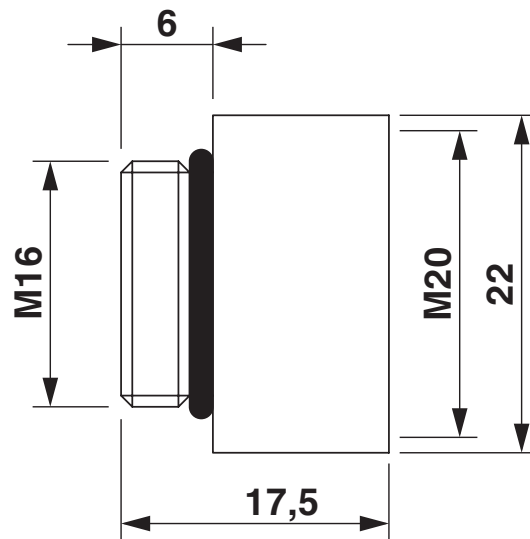
1647653

<https://www.phoenixcontact.com/us/products/1647653>



Drawings

Dimensional drawing



ENLAR-M-KV-M16/M20 - Extension adapter



1647653

<https://www.phoenixcontact.com/us/products/1647653>

Classifications

ECLASS

ECLASS-13.0	27140806
ECLASS-15.0	27140806

ETIM

ETIM 10.0	EC000938
-----------	----------

UNSPSC

UNSPSC 21.0	31163000
-------------	----------

ENLAR-M-KV-M16/M20 - Extension adapter



1647653

<https://www.phoenixcontact.com/us/products/1647653>

Environmental product compliance

EU RoHS

Fulfills EU RoHS substance requirements	Yes
Exemption	6(c)

China RoHS

Environment friendly use period (EFUP)	EFUP-50
	An article-related China RoHS declaration table can be found in the download area for the respective article under "Manufacturer declaration". For all articles with EFUP-E, no China RoHS declaration table issued and required.

EU REACH SVHC

REACH candidate substance (CAS No.)	Lead(CAS: 7439-92-1)
SCIP	648a1eed-e135-419e-980f-a413c4762f5b

EF3.1 Climate Change

CO2e kg	0.155 kg CO2e
---------	---------------

Phoenix Contact 2026 © - all rights reserved
<https://www.phoenixcontact.com>

Phoenix Contact USA
586 Fulling Mill Road
Middletown, PA 17057, United States
(+717) 944-1300
info@phoenixcon.com