

# REDUC-M-KV-M40/M32 - Reducing adapter



1647640

<https://www.phoenixcontact.com/us/products/1647640>

Please be informed that the data shown in this PDF document is generated from our online catalog. Please find the complete data in the user documentation. Our general terms of use for downloads are valid.

Reducing adapter, connecting thread: M40 x 1.5, color: silver-colored, with O-ring



## Product description

Reduced M40 to M32

## Commercial data

Item number	1647640
Packing unit	10 pc
Minimum order quantity	10 pc
Sales key	BF68
Product key	AF7DZX
GTIN	4017918941543
Weight per piece (including packing)	46 g
Weight per piece (excluding packing)	45.63 g
Customs tariff number	74198090
Country of origin	DE

# REDUC-M-KV-M40/M32 - Reducing adapter

1647640

<https://www.phoenixcontact.com/us/products/1647640>

## Technical data

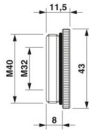
### Product properties

Product type	Reducing adapter
Seal present	yes

### Connection data

Tightening torque	11 ... 12 Nm
-------------------	--------------

### Dimensions

Dimensional drawing	
Width	43.00 mm
Length	11.5 mm
Length of the connecting thread	8 mm
Length without connecting thread	3.5 mm
Diameter	40 mm
Connecting thread diameter	40 mm
Hexagon angular dimension	43 mm
Thread type connection side	M40 x 1.5
Thread pitch	1.5 mm
Thread type on seal side	M32

### Material specifications

Color	brass color
Material	Brass, nickel-plated
Seal material	NBR
Housing surface material	Ni

### Cable/line

Halogen-free	no
--------------	----

### Environmental and real-life conditions

#### Ambient conditions

Degree of protection	IP65 (Depends on the screw connection used)
Ambient temperature (operation)	-20 °C ... 80 °C

### Mounting

Assembly note	With corresponding screw connection: IP68
---------------	---

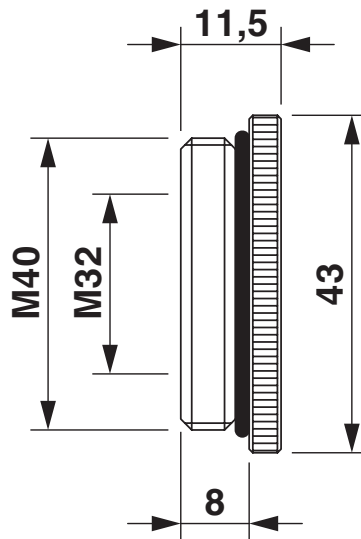
# REDUC-M-KV-M40/M32 - Reducing adapter

1647640

<https://www.phoenixcontact.com/us/products/1647640>

## Drawings

Dimensional drawing



Dimensional drawing

# REDUC-M-KV-M40/M32 - Reducing adapter



1647640

<https://www.phoenixcontact.com/us/products/1647640>

## Classifications

### ECLASS

ECLASS-13.0	27140806
ECLASS-15.0	27140806

### ETIM

ETIM 10.0	EC000938
-----------	----------

### UNSPSC

UNSPSC 21.0	31261500
-------------	----------

# REDUC-M-KV-M40/M32 - Reducing adapter



1647640

<https://www.phoenixcontact.com/us/products/1647640>

## Environmental product compliance

### EU RoHS

Fulfills EU RoHS substance requirements	Yes
Exemption	6(c)

### China RoHS

Environment friendly use period (EFUP)	EFUP-50
	An article-related China RoHS declaration table can be found in the download area for the respective article under "Manufacturer declaration". For all articles with EFUP-E, no China RoHS declaration table issued and required.

### EU REACH SVHC

REACH candidate substance (CAS No.)	Lead(CAS: 7439-92-1)
SCIP	108acbde-a277-4858-912d-f5fe30eaeaf7

### EF3.1 Climate Change

CO2e kg	0.455 kg CO2e
---------	---------------

Phoenix Contact 2026 © - all rights reserved  
<https://www.phoenixcontact.com>

Phoenix Contact USA  
586 Fulling Mill Road  
Middletown, PA 17057, United States  
(+717) 944-1300  
[info@phoenixcon.com](mailto:info@phoenixcon.com)