

REDUC-M-KV-M25/M20 - Reducing adapter



1647624

<https://www.phoenixcontact.com/us/products/1647624>

Please be informed that the data shown in this PDF document is generated from our online catalog. Please find the complete data in the user documentation. Our general terms of use for downloads are valid.

Reducing adapter, connecting thread: M25 x 1.5, color: silver-colored, with O-ring



Product description

Reduced M25 to M20

Commercial data

Item number	1647624
Packing unit	10 pc
Minimum order quantity	10 pc
Sales key	BF68
Product key	AF7DZX
GTIN	4017918941529
Weight per piece (including packing)	18.87 g
Weight per piece (excluding packing)	15.72 g
Customs tariff number	74198090
Country of origin	DE

REDUC-M-KV-M25/M20 - Reducing adapter

1647624

<https://www.phoenixcontact.com/us/products/1647624>

Technical data

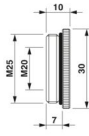
Product properties

Product type	Reducing adapter
Seal present	yes

Connection data

Tightening torque	7.5 ... 8 Nm
-------------------	--------------

Dimensions

Dimensional drawing	
Width	30.00 mm
Length	10 mm
Length of the connecting thread	7 mm
Length without connecting thread	3 mm
Diameter	25 mm
Connecting thread diameter	25 mm
Hexagon angular dimension	30 mm
Thread type connection side	M25 x 1.5
Thread pitch	1.5 mm
Thread type on seal side	M20

Material specifications

Color	brass color
Material	Brass, nickel-plated
Seal material	NBR
Housing surface material	Ni

Cable/line

Halogen-free	no
--------------	----

Environmental and real-life conditions

Ambient conditions

Degree of protection	IP65 (Depends on the screw connection used)
Ambient temperature (operation)	-20 °C ... 80 °C

Mounting

Assembly note	With corresponding screw connection: IP68
---------------	---

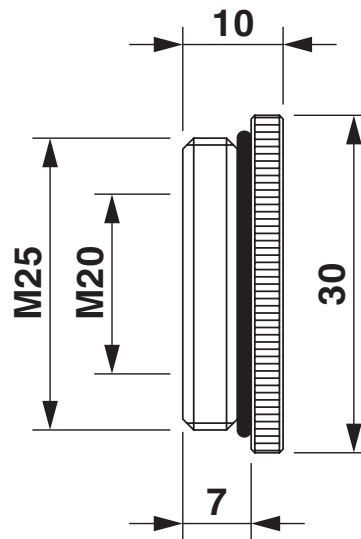
REDUC-M-KV-M25/M20 - Reducing adapter

1647624

<https://www.phoenixcontact.com/us/products/1647624>

Drawings

Dimensional drawing



Dimensional drawing

REDUC-M-KV-M25/M20 - Reducing adapter



1647624

<https://www.phoenixcontact.com/us/products/1647624>

Classifications

ECLASS

ECLASS-13.0	27140806
ECLASS-15.0	27140806

ETIM

ETIM 10.0	EC000938
-----------	----------

UNSPSC

UNSPSC 21.0	31261500
-------------	----------

REDUC-M-KV-M25/M20 - Reducing adapter



1647624

<https://www.phoenixcontact.com/us/products/1647624>

Environmental product compliance

EU RoHS

Fulfills EU RoHS substance requirements	Yes
Exemption	6(c)

China RoHS

Environment friendly use period (EFUP)	EFUP-50
	An article-related China RoHS declaration table can be found in the download area for the respective article under "Manufacturer declaration". For all articles with EFUP-E, no China RoHS declaration table issued and required.

EU REACH SVHC

REACH candidate substance (CAS No.)	Lead(CAS: 7439-92-1)
SCIP	99541839-5a1d-40d0-b885-cb1c09bf9185

Phoenix Contact 2026 © - all rights reserved

<https://www.phoenixcontact.com>

Phoenix Contact USA
586 Fulling Mill Road
Middletown, PA 17057, United States
(+717) 944-1300
info@phoenixcon.com