

# REDUC-M-KV-M20/M16 - Reducing adapter



1647611

<https://www.phoenixcontact.com/us/products/1647611>

Please be informed that the data shown in this PDF document is generated from our online catalog. Please find the complete data in the user documentation. Our general terms of use for downloads are valid.

Reducing adapter, connecting thread: M20 x 1.5, color: silver-colored, with O-ring



## Product description

Reduced M20 to M16

## Commercial data

Item number	1647611
Packing unit	10 pc
Minimum order quantity	1 pc
Sales key	BF68
Product key	AF7DZX
GTIN	4017918941512
Weight per piece (including packing)	10.25 g
Weight per piece (excluding packing)	9.9 g
Customs tariff number	74198090
Country of origin	DE

# REDUC-M-KV-M20/M16 - Reducing adapter

1647611

<https://www.phoenixcontact.com/us/products/1647611>

## Technical data

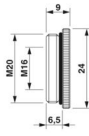
### Product properties

Product type	Reducing adapter
Seal present	yes

### Connection data

Tightening torque	2.5 ... 2.7 Nm
-------------------	----------------

### Dimensions

Dimensional drawing	
Width	24.00 mm
Length	9 mm
Length of the connecting thread	6.5 mm
Length without connecting thread	2.5 mm
Diameter Connecting thread	20 mm
Connecting thread diameter	20 mm
Hexagon angular dimension	24 mm
Thread type connection side	M20 x 1.5
Thread pitch	1.5 mm
Thread type on seal side	M16

### Material specifications

Color	brass color
Material	Brass, nickel-plated
Seal material	NBR
Housing surface material	Ni

### Cable/line

Halogen-free	no
--------------	----

### Environmental and real-life conditions

#### Ambient conditions

Degree of protection	IP65 (Depends on the screw connection used)
Ambient temperature (operation)	-20 °C ... 80 °C

### Mounting

Assembly note	With corresponding screw connection: IP68
---------------	---

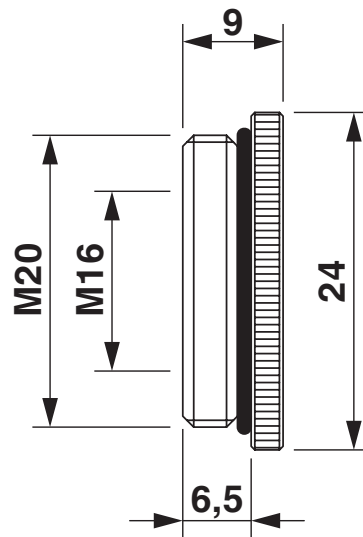
# REDUC-M-KV-M20/M16 - Reducing adapter

1647611

<https://www.phoenixcontact.com/us/products/1647611>

## Drawings

Dimensional drawing



Dimensional drawing

# REDUC-M-KV-M20/M16 - Reducing adapter



1647611

<https://www.phoenixcontact.com/us/products/1647611>

## Classifications

### ECLASS

ECLASS-13.0	27140806
ECLASS-15.0	27140806

### ETIM

ETIM 10.0	EC000938
-----------	----------

### UNSPSC

UNSPSC 21.0	31261500
-------------	----------

# REDUC-M-KV-M20/M16 - Reducing adapter



1647611

<https://www.phoenixcontact.com/us/products/1647611>

## Environmental product compliance

### EU RoHS

Fulfills EU RoHS substance requirements	Yes
Exemption	6(c)

### China RoHS

Environment friendly use period (EFUP)	EFUP-50
	An article-related China RoHS declaration table can be found in the download area for the respective article under "Manufacturer declaration". For all articles with EFUP-E, no China RoHS declaration table issued and required.

### EU REACH SVHC

REACH candidate substance (CAS No.)	Lead(CAS: 7439-92-1)
SCIP	3487c879-b739-4c34-a06f-14f702e1e0e9

### EF3.1 Climate Change

CO2e kg	0.111 kg CO2e
---------	---------------

Phoenix Contact 2026 © - all rights reserved  
<https://www.phoenixcontact.com>

Phoenix Contact USA  
586 Fulling Mill Road  
Middletown, PA 17057, United States  
(+717) 944-1300  
[info@phoenixcon.com](mailto:info@phoenixcon.com)