

HC-M-DSUB 09-MOD-ST - Contact insert module



1647530

<https://www.phoenixcontact.com/us/products/1647530>

Please be informed that the data shown in this PDF document is generated from our online catalog. Please find the complete data in the user documentation. Our general terms of use for downloads are valid.



HEAVYCON male contact insert module, D-SUB 9, crimp connection

Commercial data

Item number	1647530
Packing unit	1 pc
Note	Made to order (non-returnable)
Sales key	BF62
Product key	AF7ACB
GTIN	4017918948771
Weight per piece (including packing)	29.15 g
Weight per piece (excluding packing)	29.15 g
Customs tariff number	85366990
Country of origin	DE

HC-M-DSUB 09-MOD-ST - Contact insert module



1647530

<https://www.phoenixcontact.com/us/products/1647530>

Technical data

Mounting

Assembly note	Housing height \geq 52 mm. Plug-in connections may only be operated only when there is no load/voltage. Use of HC-CST (1676857) coding pins and HC-CBU (1676860) coding sockets has been prescribed.
---------------	---

Product properties

Product type	Modular contact insert
Series	HC-M-DSUB
Application	Data
Number of positions	9
Connection profile	9
Contact numbering	1 - 9
Number of module slots	1
Contact material type	turned

Insulation characteristics

Overvoltage category	III
Degree of pollution	3

Connection data

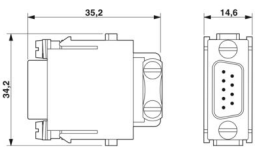
Connection technology

Connection technology	Crimp connection
-----------------------	------------------

Conductor connection

Conductor cross-section	0.08 mm ² ... 0.5 mm ²
Connection cross section AWG	28 ... 20
Stripping length of the individual wire	4.2 mm

Dimensions

Dimensional drawing	
Width	34.2 mm
Height	35.2 mm
Length	14.6 mm

Mechanical characteristics

Minimum housing height	52 mm
Contact diameter	1 mm

1647530

<https://www.phoenixcontact.com/us/products/1647530>

Electrical properties

Rated voltage (III/3)	50 V
Rated surge voltage	0.8 kV
Rated current	1 A

Mechanical properties

Mechanical data

Insertion/withdrawal cycles	≥ 500
-----------------------------	-------

Material specifications

Flammability rating according to UL 94	V0
Contact material	Copper alloy
Contact surface material	Ag
Contact carrier material	PC

Environmental and real-life conditions

Ambient conditions

Ambient temperature (operation)	-40 °C ... 125 °C
---------------------------------	-------------------

HC-M-DSUB 09-MOD-ST - Contact insert module

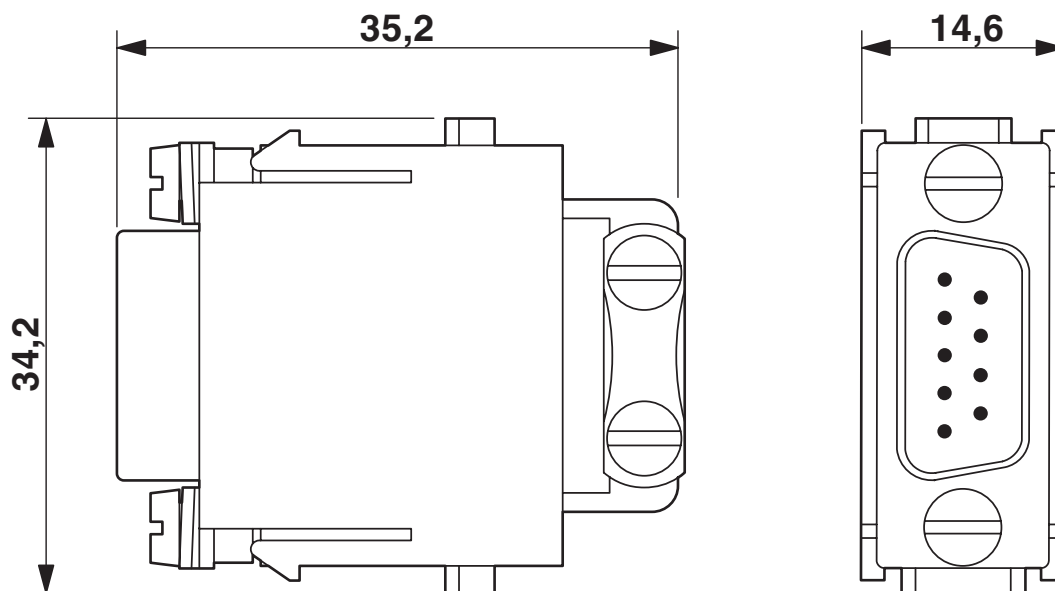


1647530

<https://www.phoenixcontact.com/us/products/1647530>

Drawings

Dimensional drawing



Male insert

Dimensional drawing



Stripping length specifications; pin assignment. Cable to be used: Order No. 14164457

HC-M-DSUB 09-MOD-ST - Contact insert module



1647530

<https://www.phoenixcontact.com/us/products/1647530>

Environmental product compliance

EU RoHS

Fulfills EU RoHS substance requirements	Yes, No exemptions
---	--------------------

China RoHS

Environment friendly use period (EFUP)	EFUP-E
	No hazardous substances above the limits

EU REACH SVHC

REACH candidate substance (CAS No.)	No substance above 0.1 wt%
-------------------------------------	----------------------------

Phoenix Contact 2026 © - all rights reserved
<https://www.phoenixcontact.com>

Phoenix Contact USA
586 Fulling Mill Road
Middletown, PA 17057, United States
(+717) 944-1300
info@phoenixcon.com