

# HC-B 10-KML-73/O1STM20 - Housing

1647048

<https://www.phoenixcontact.com/us/products/1647048>

Please be informed that the data shown in this PDF document is generated from our online catalog. Please find the complete data in the user documentation. Our general terms of use for downloads are valid.

HEAVYCON coupling housing B10, with single locking latch, height 73 mm, with thread 1xM20



## Commercial data

Item number	1647048
Packing unit	1 pc
Note	Made to order (non-returnable)
Sales key	NULL
Product key	AF7AAC
GTIN	4017918962968
Weight per piece (including packing)	221.92 g
Weight per piece (excluding packing)	221.25 g
Customs tariff number	85389099
Country of origin	DE

# HC-B 10-KML-73/O1STM20 - Housing

1647048

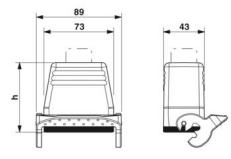
<https://www.phoenixcontact.com/us/products/1647048>

## Technical data

### Product properties

Product type	Housing with locking latch
Housing type	Coupling housings
Application	Standard
Type	B10
No. of cable outlets	1
Type of the screw connection	1x M20
Shielded	no
Cable outlet	straight
Pg screw connection	none

### Dimensions

Dimensional drawing	
Width	43 mm
Height	73 mm
Length	73 mm

### Material specifications

Seal material	NBR
Housing material	Die-cast aluminum
Housing surface material	Powder-coated, gray
Locking latch material	High-grade steel, handle: PA-GF

### Mechanical properties

#### Mechanical data

Type of the screw connection	1x M20
Locking type	Latch

### Environmental and real-life conditions

#### Ambient conditions

Degree of protection	IP65
Ambient temperature (operation)	-40 °C ... 125 °C

# HC-B 10-KML-73/O1STM20 - Housing

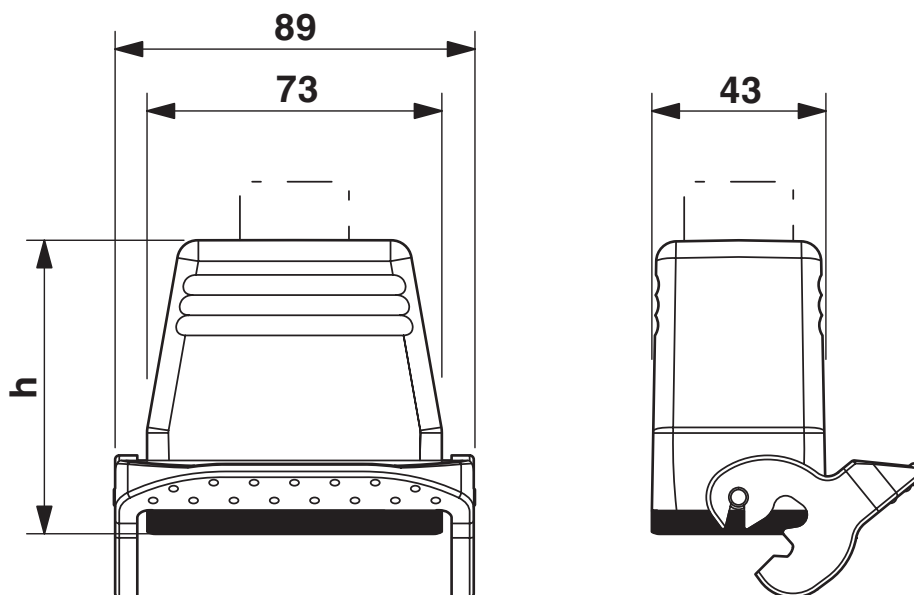
1647048

<https://www.phoenixcontact.com/us/products/1647048>



## Drawings

Dimensional drawing



# HC-B 10-KML-73/O1STM20 - Housing



1647048

<https://www.phoenixcontact.com/us/products/1647048>

## Classifications

### ECLASS

ECLASS-13.0	27440202
ECLASS-15.0	27440202

1647048

<https://www.phoenixcontact.com/us/products/1647048>

## Environmental product compliance

### China RoHS

Environment friendly use period (EFUP)	EFUP-50
	An article-related China RoHS declaration table can be found in the download area for the respective article under "Manufacturer declaration". For all articles with EFUP-E, no China RoHS declaration table issued and required.

### EU REACH SVHC

REACH candidate substance (CAS No.)	No substance above 0.1 wt%
-------------------------------------	----------------------------

Phoenix Contact 2026 © - all rights reserved  
<https://www.phoenixcontact.com>

Phoenix Contact USA  
586 Fulling Mill Road  
Middletown, PA 17057, United States  
(+717) 944-1300  
[info@phoenixcon.com](mailto:info@phoenixcon.com)