

# HC-B 6-SML-74/O1M32 - Housing

1646845

<https://www.phoenixcontact.com/us/products/1646845>

Please be informed that the data shown in this PDF document is generated from our online catalog. Please find the complete data in the user documentation. Our general terms of use for downloads are valid.



HEAVYCON box mounting base B6, with single locking latch. Height 74 mm, with support 1x M32

## Commercial data

Item number	1646845
Packing unit	1 pc
Note	Made to order (non-returnable)
Sales key	NULL
Product key	AF7AAC
GTIN	4017918962432
Weight per piece (including packing)	298.31 g
Weight per piece (excluding packing)	297.3 g
Customs tariff number	85389099
Country of origin	DE

# HC-B 6-SML-74/O1M32 - Housing

1646845

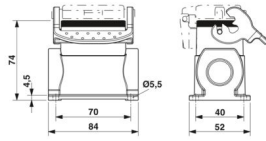
<https://www.phoenixcontact.com/us/products/1646845>

## Technical data

### Product properties

Product type	Housing with locking latch
Housing type	Surface mounting housing
Application	Standard
Type	B6
No. of cable outlets	1
Type of the screw connection	1x M32
Shielded	no
Cable outlet	left (view of the opened single locking latch)
Pg screw connection	none

### Dimensions

Dimensional drawing	
Width	57 mm
Height	74 mm
Length	84 mm

### Material specifications

Seal material	NBR
Housing material	Die-cast aluminum
Housing surface material	Powder-coated, gray
Locking latch material	Stainless steel, handle: PA

### Mechanical properties

#### Mechanical data

Type of the screw connection	1x M32
Locking type	Latch

### Environmental and real-life conditions

#### Ambient conditions

Degree of protection	IP65
Ambient temperature (operation)	-40 °C ... 125 °C

# HC-B 6-SML-74/O1M32 - Housing

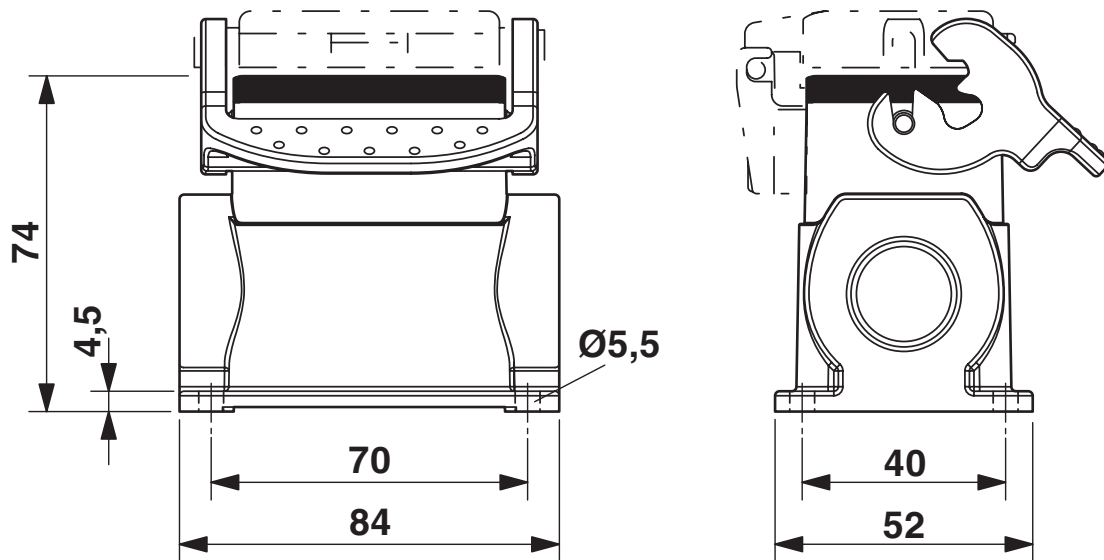


1646845

<https://www.phoenixcontact.com/us/products/1646845>

## Drawings

Dimensional drawing



Dimensional drawing

# HC-B 6-SML-74/O1M32 - Housing



1646845

<https://www.phoenixcontact.com/us/products/1646845>

## Classifications

### ECLASS

ECLASS-13.0	27440202
ECLASS-15.0	27440202

### UNSPSC

UNSPSC 21.0	31261501
-------------	----------

# HC-B 6-SML-74/O1M32 - Housing



1646845

<https://www.phoenixcontact.com/us/products/1646845>

## Environmental product compliance

### EU RoHS

Fulfills EU RoHS substance requirements	Yes, No exemptions
---	--------------------

### China RoHS

Environment friendly use period (EFUP)	EFUP-E
	No hazardous substances above the limits

### EU REACH SVHC

REACH candidate substance (CAS No.)	No substance above 0.1 wt%
-------------------------------------	----------------------------

Phoenix Contact 2026 © - all rights reserved  
<https://www.phoenixcontact.com>

Phoenix Contact USA  
586 Fulling Mill Road  
Middletown, PA 17057, United States  
(+717) 944-1300  
[info@phoenixcon.com](mailto:info@phoenixcon.com)